



Color: Bronze

Weight: 4.4 lbs

**Project:**

**Type:**

**Prepared By:**

**Date:**

### Driver Info

Type	Constant Current
120V	0.22A
208V	0.13A
240V	0.12A
277V	0.10A
Input Watts	26.6W

### LED Info

Watts	26W
Color Temp	4000K (Neutral)
Color Accuracy	74 CRI
L70 Lifespan	100,000 Hours
Lumens	3,941
Efficacy	148.2 lm/W

## Technical Specifications

### Listings

#### UL Listed:

Suitable for wet locations

#### IESNA LM-79 & IESNA LM-80 Testing:

RAB LED luminaires and LED components have been tested by an independent laboratory in accordance with IESNA LM-79 and LM-80.

#### DLC Listed:

This product is listed by Design Lights Consortium (DLC) as an ultra-efficient premium product that qualifies for the highest tier of rebates from DLC Member Utilities. DLC Product Code: PEEZ48AS

### Performance

#### Lifespan:

100,000-Hour LED lifespan based on IES LM-80 results and TM-21 calculations

### LED Characteristics

#### LEDs:

Multip-chip, high-output, long-life LEDs

### Construction

#### Cold Weather Starting:

Minimum starting temperature is -40°C (-40°F)

#### Maximum Ambient Temperature:

40°C (104°F)

#### Housing:

Die-cast aluminum

#### Reflector:

Aluminum Alloy

#### Lens:

Acrylic lens

### Gaskets:

High-temperature silicone gaskets

### Mounting:

Surface mount

### Finish:

Formulated for high durability and long-lasting color

### Green Technology:

Mercury and UV free. RoHS-compliant components.

## Technical Specifications (continued)

### Electrical

#### Drivers:

Constant Current, 120-277V, 50/60 Hz, 120V: 0.22A, 208V: 0.13A, 240V: 0.12A, 277V: 0.10A

#### Dimming Driver:

Driver includes dimming control wiring for 0-10V dimming systems. Requires separate 0-10V DC dimming circuit. Dims down to 10%.

#### THD:

9.3% at 120V, 17.7% at 277V

#### Power Factor:

99% at 120V, 89% at 277V

#### Surge Protection:

2kV

#### Note:

All values are typical (tolerance +/- 10%)

#### Photocell:

120-277V Button Photocell Included. Photocell is compatible with 120V-277V.

#### Other

#### Equivalency:

Equivalent to 100W Metal Halide

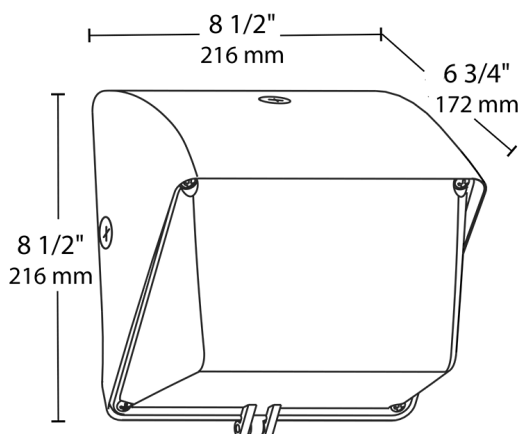
#### Warranty:

RAB warrants that our LED products will be free from defects in materials and workmanship for a period of ten (10) years from the date of delivery to the end user, including coverage of light output, color stability, driver performance and fixture finish. RAB's warranty is subject to all terms and conditions found at [rablighting.com/warranty](http://rablighting.com/warranty).

#### Buy American Act Compliance:

RAB values USA manufacturing! Upon request, RAB may be able to manufacture this product to be compliant with the Buy American Act (BAA). Please contact customer service to request a quote for the product to be made BAA compliant.

## Dimensions



## Features

- Affordable wall pack with traditional look
- Ultra-high efficacy
- Covers footprint of small HID wall packs
- 100,000-Hour LED lifespan

## Ordering Matrix

Family	Lumen Pack Wattage	CRI/Color Temp	Finish	Voltage	Options
WP1LED	39L	-	740	U	/PCU
	39L = 3900lumens, 26W	750 = 70 CRI, 5000K 740 = 70 CRI, 4000K 730 = 70 CRI, 3000K	Blank = Bronze W = White	U = 120-277V, 0-10V Dimming H = 480V, 0-10V Dimming	Blank = No Options /PCU = 120-277V Button Photocell /PCS = 120V Swivel Photocell /PCS2 = 208V-277V Swivel Photocell /PCS4 = 480V Swivel Photocell /MVS = 120-277V Microwave Sensor /LC = Lightcloud® Controller /E2 = Battery Backup



Color: Bronze

Weight: 8.3 lbs

**Project:**

**Type:**

**Prepared By:**

**Date:**

### Driver Info

Type	Constant Current
120V	0.27A
208V	0.16A
240V	0.14A
277V	0.12A
Input Watts	34.1W

### LED Info

Watts	34W
Color Temp	5000K (Cool)
Color Accuracy	76 CRI
L70 Lifespan	100,000 Hours
Lumens	4,872
Efficacy	142.9 lm/W

## Technical Specifications

### Listings

#### UL Listed:

Suitable for wet locations

#### IESNA LM-79 & IESNA LM-80 Testing:

RAB LED luminaires and LED components have been tested by an independent laboratory in accordance with IESNA LM-79 and LM-80.

### Performance

#### Lifespan:

100,000-Hour LED lifespan based on IES LM-80 results and TM-21 calculations

#### LED Characteristics

#### LEDs:

Multip-chip, high-output, long-life LEDs

### Construction

#### Cold Weather Starting:

Minimum starting temperature is -40°C (-40°F)

#### Maximum Ambient Temperature:

40°C (104°F)

#### Housing:

Die-cast aluminum

#### Reflector:

Aluminum Alloy

#### Lens:

Glass

#### Gaskets:

High-temperature silicone gaskets

#### Mounting:

Surface mount

#### Finish:

Formulated for high durability and long-lasting color

#### Green Technology:

Mercury and UV free. RoHS-compliant components.

### Electrical

#### Drivers:

Constant Current, 120-277V, 50/60 Hz, 120V: 0.27A, 208V: 0.16A, 240V: 0.14A, 277V: 0.12A

## Technical Specifications (continued)

### Electrical

#### Dimming Driver:

Driver includes dimming control wiring for 0-10V dimming systems. Requires separate 0-10V DC dimming circuit. Dims down to 10%.

#### THD:

6.5% at 120V, 5.1% at 277V

#### Power Factor:

99.4% at 120V, 93.8% at 277V

### Surge Protection:

2.5kV

### Note:

All values are typical (tolerance +/- 10%)

### Photocell:

120-277V Button Photocell Included. Photocell is compatible with 120V-277V.

### Other

#### Equivalency:

Equivalent to 150W Metal Halide

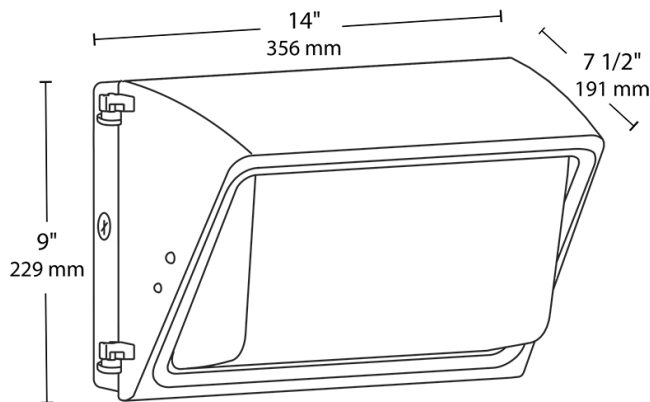
#### Warranty:

RAB warrants that our LED products will be free from defects in materials and workmanship for a period of ten (10) years from the date of delivery to the end user, including coverage of light output, color stability, driver performance and fixture finish. RAB's warranty is subject to all terms and conditions found at [rablighting.com/warranty](http://rablighting.com/warranty).

#### Buy American Act Compliance:

RAB values USA manufacturing! Upon request, RAB may be able to manufacture this product to be compliant with the Buy American Act (BAA). Please contact customer service to request a quote for the product to be made BAA compliant.

## Dimensions



## Features

- Affordable wall pack with traditional look
- Ultra-high efficacy
- Covers footprint of mid-size HID wall packs
- 100,000-Hour LED lifespan

## Ordering Matrix

Family	Lumen Pack Wattage		CRI/Color Temp	Finish	Voltage	Options
WP2LED	49L	-	750		U	/PCU
	<b>34L</b> = 3400lumens, 23W <b>49L</b> = 4900lumens, 34W		<b>750</b> = 70 CRI, 5000K <b>740</b> = 70 CRI, 4000K <b>730</b> = 70 CRI, 3000K	<b>Blank</b> = Bronze <b>W</b> = White	<b>U</b> = 120-277V, 0-10V Dimming <b>H</b> = 480V, 0-10V Dimming	<b>Blank</b> = No Options <b>/PCU</b> = 120-277V Button Photocell <b>/PCS</b> = 120V Swivel Photocell <b>/PCS2</b> = 208V-277V Swivel Photocell <b>/PCS4</b> = 480V Swivel Photocell <b>/MVS</b> = 120-277V Microwave Sensor <b>/E2</b> = 120-277V Battery Backup <b>/LC</b> = Lightcloud® Controller



Color: Bronze

Weight: 11.1 lbs

**Project:**

**Type:**

**Prepared By:**

**Date:**

### Driver Info

Type	Constant Current
120V	0.41A
208V	0.24A
240V	0.21A
277V	0.18A
Input Watts	48.40W
Efficiency	N/A

### LED Info

Watts	51.00W
Color Temp	3000K (Warm)
Color Accuracy	72 CRI
L70 Lifespan	100,000
Lumens	7,136
Efficacy	147.4 LPW

## Technical Specifications

### Listings

#### UL Listed:

Suitable for wet locations

#### IESNA LM-79 & IESNA LM-80 Testing:

RAB LED luminaires and LED components have been tested by an independent laboratory in accordance with IESNA LM-79 and LM-80.

#### DLC Listed:

This product is listed by Design Lights Consortium (DLC) as an ultra-efficient premium product that qualifies for the highest tier of rebates from DLC Member Utilities. DLC Product Code: PUZPRS8I

### LED Characteristics

#### Lifespan:

100,000-hour LED lifespan based on IES LM-80 results and TM-21 calculations

#### LEDs:

Multip-chip, high-output, long-life LEDs

### Construction

#### Cold Weather Starting:

The minimum starting temperature is -30°C (-22°F)

#### Maximum Ambient Temperature:

40°C (104°F)

### Housing:

Die-cast aluminum

### Reflector:

Aluminum Alloy

### Lens:

Glass

### Gaskets:

High-temperature silicone gaskets

### Mounting:

Surface mount

### Finish:

Formulated for high durability and long-lasting color

### Green Technology:

Mercury and UV free. RoHS-compliant components.

### Electrical

#### Drivers:

Constant Current, 120-277V, 50/60 Hz, 120V: 0.41A, 208V: 0.24A, 240V: 0.21A, 277V: 0.18A

#### Dimming Driver:

Driver includes dimming control wiring for 0-10V dimming systems. Requires separate 0-10V DC dimming circuit. Dims as low as 10%.

#### THD:

9.4% at 120V, 9.7% at 277V

#### Power Factor:

98% at 120V, 99.2% at 277V

#### Surge Protection:

4kV

## Technical Specifications (continued)

### Electrical

**Note:**

All values are typical (tolerance +/- 10%)

### Other

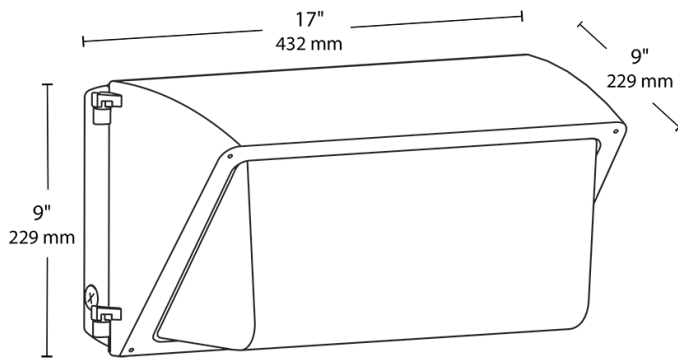
**Warranty:**

RAB warrants that our LED products will be free from defects in materials and workmanship for a period of ten (10) years from the date of delivery to the end user, including coverage of light output, color stability, driver performance and fixture finish. RAB's warranty is subject to all terms and conditions found at [rablighting.com/warranty](http://rablighting.com/warranty).

### Buy American Act Compliance:

RAB values USA manufacturing! Upon request, RAB may be able to manufacture this product to be compliant with the Buy American Act (BAA). Please contact customer service to request a quote for the product to be made BAA compliant.

### Dimensions

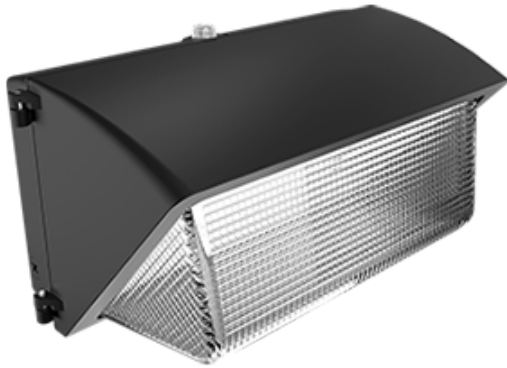


### Features

- Affordable wall pack with traditional look
- Ultra-high efficacy
- Covers footprint of large HID wall packs
- 100,000-Hour LED lifespan

### Ordering Matrix

Family	Lumen Pack Wattage		CRI/Color Temp	Finish	Voltage	Options
WP3LED	75L	-	730		U	PCU
	75L = 7500lumens, 51W 83L = 8300lumens, 55W 93L = 9300lumens, 65W 150L = 15,000lumens, 100W		750 = 70 CRI, 5000K 740 = 70 CRI, 4000K 730 = 70 CRI, 3000K	Blank = Bronze W = White	U = 120-277V, 0-10V Dimming H = 480V, 0-10V Dimming	Blank = No Options /PCU = 120-277V Button Photocell /PCS = 120V Swivel Photocell /PCS2 = 208V-277V Swivel Photocell /PCS4 = 480V Swivel Photocell /MVS = 120-277V Microwave Sensor /LC = Lightcloud® Controller /E2 = 120-277V Battery Backup



Color: Bronze

Weight: 11.1 lbs

**Project:**

**Type:**

**Prepared By:**

**Date:**

#### Driver Info

Type	Constant Current
120V	0.46A
208V	0.27A
240V	0.24A
277V	0.20A
Input Watts	55.1W

#### LED Info

Watts	55W
Color Temp	5000K (Cool)
Color Accuracy	76 CRI
L70 Lifespan	100,000 Hours
Lumens	8,296
Efficacy	150.6 lm/W

## Technical Specifications

### Listings

#### UL Listed:

Suitable for wet locations

#### IESNA LM-79 & IESNA LM-80 Testing:

RAB LED luminaires and LED components have been tested by an independent laboratory in accordance with IESNA LM-79 and LM-80.

#### DLC Listed:

This product is listed by Design Lights Consortium (DLC) as an ultra-efficient premium product that qualifies for the highest tier of rebates from DLC Member Utilities. DLC Product Code: PHGE72GZ

### Performance

#### Lifespan:

100,000-Hour LED lifespan based on IES LM-80 results and TM-21 calculations

### LED Characteristics

#### LEDs:

Multip-chip, high-output, long-life LEDs

### Construction

#### Cold Weather Starting:

The minimum starting temperature is -30°C (-22°F)

#### Maximum Ambient Temperature:

40°C (104°F)

#### Housing:

Die-cast aluminum

#### Reflector:

Aluminum Alloy

#### Lens:

Glass

### Gaskets:

High-temperature silicone gaskets

### Mounting:

Surface mount

### Finish:

Formulated for high durability and long-lasting color

### Green Technology:

Mercury and UV free. RoHS-compliant components.



## Technical Specifications (continued)

### Electrical

#### Drivers:

Constant Current, 120-277V, 50/60 Hz, 120V: 0.46A, 208V: 0.27A, 240V: 0.24A, 277V: 0.20A

#### Dimming Driver:

Driver includes dimming control wiring for 0-10V dimming systems. Requires separate 0-10V DC dimming circuit. Dims down to 10%.

#### THD:

10% at 120V, 8.6% at 277V

#### Power Factor:

99% at 120V, 98.4% at 277V

### Surge Protection:

4kV

### Note:

All values are typical (tolerance +/- 10%)

### Photocell:

120-277V Button Photocell Included. Photocell is compatible with 120V-277V.

### Other

#### Equivalency:

Equivalent to 250W Metal Halide

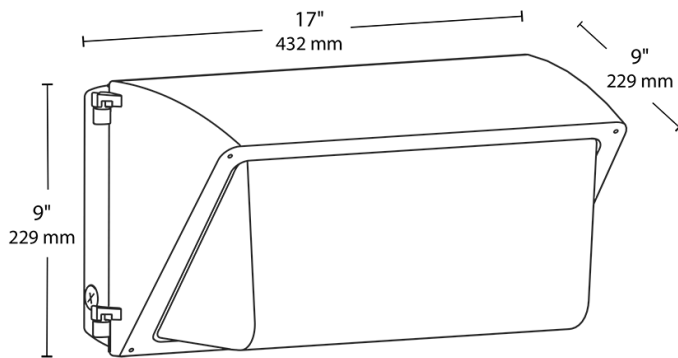
### Warranty:

RAB warrants that our LED products will be free from defects in materials and workmanship for a period of ten (10) years from the date of delivery to the end user, including coverage of light output, color stability, driver performance and fixture finish. RAB's warranty is subject to all terms and conditions found at [rablighting.com/warranty](http://rablighting.com/warranty).

### Buy American Act Compliance:

RAB values USA manufacturing! Upon request, RAB may be able to manufacture this product to be compliant with the Buy American Act (BAA). Please contact customer service to request a quote for the product to be made BAA compliant.

## Dimensions



## Features

- Affordable wall pack with traditional look
- Ultra-high efficacy
- Covers footprint of large HID wall packs
- 100,000-Hour LED lifespan

## Ordering Matrix

Family	Lumen Pack Wattage	CRI/Color Temp	Finish	Voltage	Options
WP3LED	83L	- 750		U	/PCU
	75L = 7500lumens, 51W 83L = 8300lumens, 55W 93L = 9300lumens, 65W 150L = 15,000lumens, 100W	750 = 70 CRI, 5000K 740 = 70 CRI, 4000K 730 = 70 CRI, 3000K	Blank = Bronze W = White	U = 120-277V, 0-10V Dimming H = 480V, 0-10V Dimming	Blank = No Options /PCU = 120-277V Button Photocell /PCS = 120V Swivel Photocell /PCS2 = 208V-277V Swivel Photocell /PCS4 = 480V Swivel Photocell /MVS = 120-277V Microwave Sensor /LC = Lightcloud® Controller /E2 = 120-277V Battery Backup



# D462-LED

## Slim Wallpack

Client: \_\_\_\_\_ Order #: \_\_\_\_\_  
Project Name: \_\_\_\_\_ Type: \_\_\_\_\_ Qty: \_\_\_\_\_

### Performance Data

CRI  
80+

CCT  
5000K

### Projected Lifetime

216,000 Hours (L70);  
135,000 Hours (L80)

### Dimming

Available with 0-10V inputs  
dimming down to 10%

### Operating Temperature

-40°C to +40°C Max Ambient

### ETL Listed

Suitable for dry, damp, wet  
locations



ETL

Listed

DLC

Listed

10 Yr

Limited  
Warranty

### Description

The D462 slim wall pack is an ideal wall-mount solution for illuminating apartment complexes, parks, shopping malls, courtyards, and other outdoor locations. Featuring an optional integrated photocell, the D462 pairs a simple, functional design with high efficacy performance. The D462 is designed to withstand the elements for the entirety of its useful lifetime, featuring a durable construction comprised of a die-cast aluminum housing and anti-static powder coat paint finish.

### Features

- Durable die-cast housing, anti-static powder coated paint
- DLC listed for utility rebates (see table below for models currently listed)
- Highly conductive thermal material for efficient heat dissipation
- High efficacy LED COB under-driven extends fixture lifetime
- ETL Listed for dry, damp, and wet locations
- Delivers up to 110 lumens per watt
- Delivers well-dispersed illumination, free of uncomfortable glare and shadowing
- 80+ CRI provides excellent color rendering for outdoor spaces
- L80 Rated Lifetime: 135,000 Hours
- 10-Year Limited Warranty



### Ordering Information

#### A FIXTURE SERIES

D462-LED Slim Wallpack

#### B WATTAGE/LUMENS

12	12W/1340 <sup>1</sup>
20	20W/2040 <sup>1</sup>

#### C CCT

50 5000K<sup>2</sup>

#### D VOLTAGE

U 122-277V

#### E FINISH

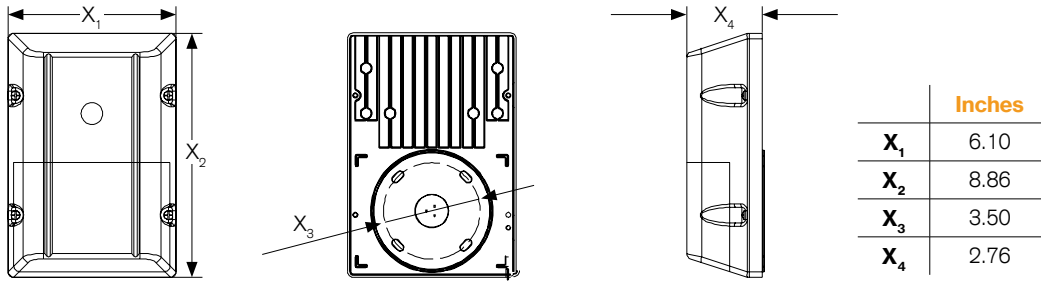
BZ Bronze

#### F OPTION

T Photocell

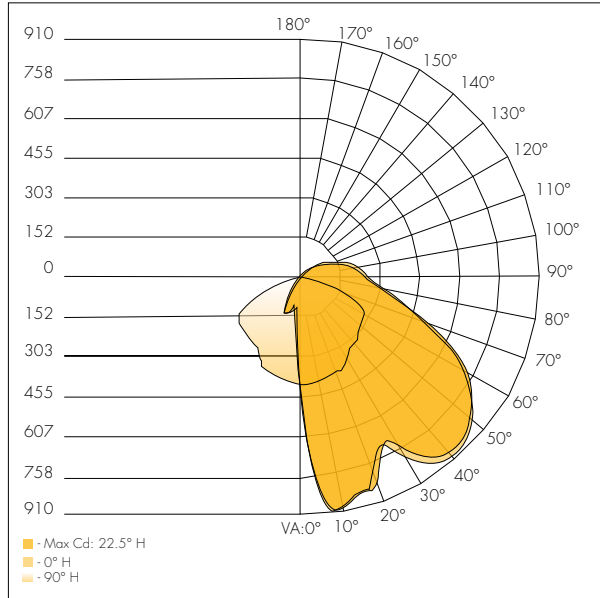
<sup>1</sup> Delivered Lumens (5000K)

Dimensions

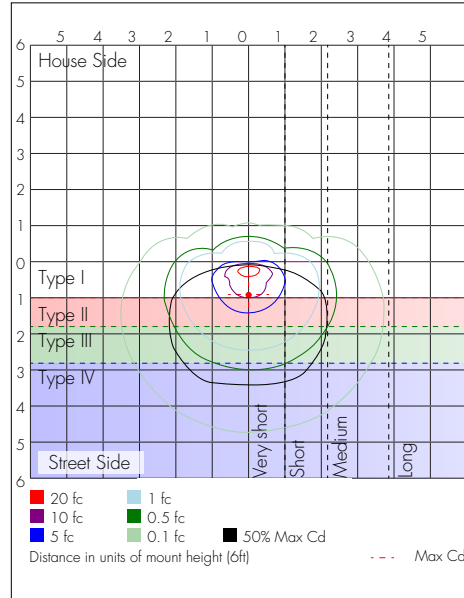


Photometrics

Model 20W 5000K



Isofootcandle

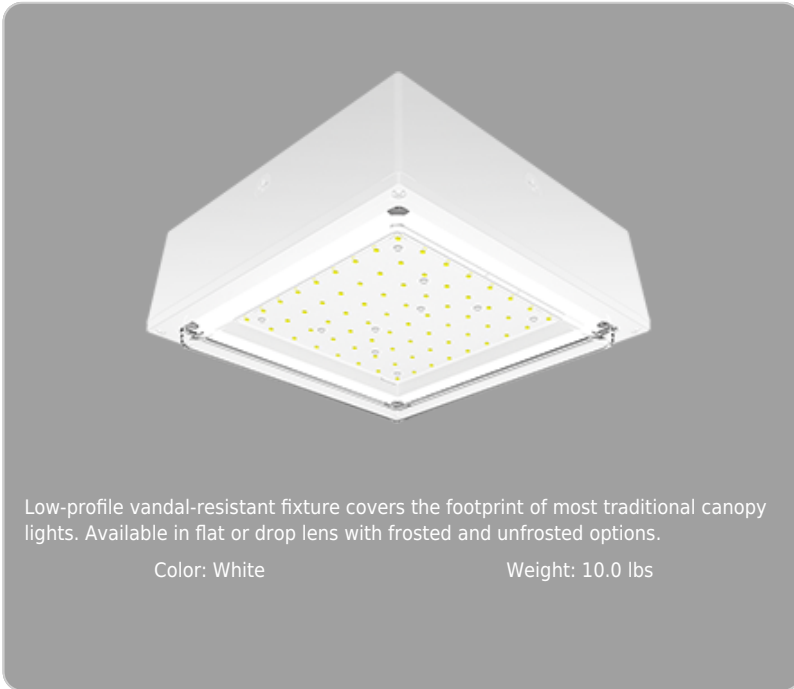


Zonal Lumen Summary

Zone	Lumens	%Lamp	%Luminaire
0-30	384.2	19.4%	18.8%
0-40	632.0	31.9%	31%
0-60	1,235.1	62.3%	60.5%
60-90	563.6	28.4%	27.6%
70-100	378.2	19.1%	18.5%
90-120	192.6	9.7%	9.4%
0-90	1,798.7	90.8%	88.2%
90-180	241.7	12.2%	11.8%
0-180	2,040.3	100%	100%

DLC Listed

	12W	20W
5000K	X	X



Low-profile vandal-resistant fixture covers the footprint of most traditional canopy lights. Available in flat or drop lens with frosted and unfrosted options.

Color: White

Weight: 10.0 lbs

<b>Project:</b>	<b>Type:</b>
<b>Prepared By:</b>	<b>Date:</b>

Driver Info		LED Info	
Type	Constant Current	Watts	20W
120V	0.19A	Color Temp	5000K (Cool)
208V	0.12A	Color Accuracy	84 CRI
240V	0.1A	L70 Lifespan	100,000 Hours
277V	0.09A	Lumens	2,989
Input Watts	21.8W	Efficacy	137.1 lm/W

## Technical Specifications

### Listings

#### UL Listed:

Suitable for Wet Locations. Covered Ceiling Mount Only.

#### IESNA LM-79 & LM-80 Testing:

RAB LED luminaires and LED components have been tested by an independent laboratory in accordance with IESNA LM-79 and LM-80.

#### DLC Listed:

This product is listed by Design Lights Consortium (DLC) as an ultra-efficient premium product that qualifies for the highest tier of rebates from DLC Member Utilities. DLC Product Code: PZQ1Z223

### LED Characteristics

#### LEDs:

Long-life, high-efficacy, surface-mount LEDs

#### Color Stability:

RAB LEDs exceed industry standards for chromatic stability

#### Color Uniformity:

RAB's range of Correlated Color Temperature follows the guidelines of the American National Standard for Specifications for the Chromaticity of Solid State Lighting (SSL) Products, ANSI C78.377-2017.

### Construction

#### Maximum Ambient Temperature:

Suitable for use in up to 40°C (104°F)

#### Cold Weather Starting:

Minimum starting temperature is -40°C (-40°F)

#### Lens:

Vandal-resistant polycarbonate textured opaque for low glare drop lens

#### Housing:

Die-cast aluminum housing and lens frame with (4) 1/2" NPS side conduit entries and weatherproof rear wire plug and access plate

#### Mounting:

Ceiling mount to recessed junction with knockout template or directly to ceiling surface, utilizing side conduit entry points

#### IP Rating:

Ingress Protection rating of IP66 for dust and water

#### Air Tight:

Housing certified Air Tight as per ASTM E283

#### Finish:

Our environmentally friendly polyester powder coatings are formulated for high-durability and long-lasting color

## Technical Specifications (continued)

### Other

#### Equivalency:

Equivalent to 100W Metal Halide

#### Warranty:

RAB warrants that our LED products will be free from defects in materials and workmanship for a period of five (5) years from the date of delivery to the end user, including coverage of light output, color stability, driver performance and fixture finish. RAB's warranty is subject to all terms and conditions found at [rablighting.com/warranty](http://rablighting.com/warranty).

### Buy American Act Compliance:

RAB values USA manufacturing! Upon request, RAB may be able to manufacture this product to be compliant with the Buy American Act (BAA). Please contact customer service to request a quote for the product to be made BAA compliant.

### Electrical

#### Driver:

Class 2, Constant Current, 120-277V, 50-60Hz,  
120V: 0.19A, 208V: 0.12A, 240V: 0.1A, 277V:  
0.09A

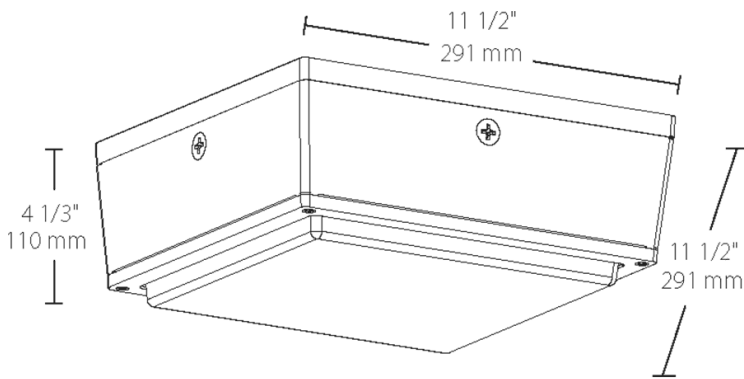
#### THD:

8.33% at 120V, 7.24% at 277V

#### Power Factor:

99.8% at 120V, 94.8% at 277V

## Dimensions



## Features

- Fits the footprint of older canopy lights
- Vandal resistant and UV resistant lens
- Ultra-high efficiency
- Clean, contemporary, low-profile design
- Available with drop lens or flat lens
- IP66 rated, keeps dust, bugs and water out
- Photo and motion sensor options available

## Ordering Matrix

Family	Wattage	Color Temp	Lens-Optics	Finish	Voltage	Options	Suffix
VANLED	20						
	10 = 10W 20 = 20W 28 = 28W 40 = 40W 52 = 52W 65 = 65W 75 = 75W	<b>Blank = 5000K</b> (Cool) <b>N = 4000K</b> (Neutral) <b>Y = 3000K</b> (Warm)	<b>Blank = Drop lens</b> <b>F = Flat lens</b> <sup>1</sup> <b>FR = Frosted Drop Lens</b> <b>FFR = Frosted Flat Lens</b> <sup>1</sup>	<b>Blank =</b> Bronze <b>W = White</b>	<b>Blank = 120-277V,</b> 0-10V Dim Standard <b>/480 = 480V, 0-10V</b> Dim Standard	<b>Blank = No Options</b> <b>/MVS = Microwave Sensor</b> <sup>1</sup> <b>/WS = Wattstopper, 8ft</b> <b>/WS2 = Wattstopper, 20ft</b> <b>/PCS = 120V Swivel Photocell</b> <b>/PCS2 = 277V Swivel Photocell</b> <b>/PCS4 = 480V Swivel Photocell</b> <b>/LC = Lightcloud®</b> Control factory Installed <b>/E2 = Battery, 120-277V</b> only	<b>Blank =</b> Standard <b>USA = Complies</b> with the BAA

<sup>1</sup> /MVS option not available with F and FFR lens



## SITE LIGHTER (SL1)

**Linmore LED Labs Site Lighter (SL1)** is a superior combination of performance, value, and form factor. The body of the Site Lighter is unique in that it is extruded aluminum and exceptional at moving thermal energy while the rest of the market uses castings or weldments. Beyond the thermal efficiency of the housing, the aesthetics are modern and attractive. Efficacy averages 165 lumens/watt across our models putting the Site Lighter in rare space and bringing ultra-low wattages to site lighting. A variety of optic packages direct the light where it is needed. Built to last, the Site Lighter incorporates Linmore's drivers for years of sustainable ownership. When the objective is to maximize value in your exterior lighting with power, energy savings, and aesthetics, the Linmore Site Lighter is the clear choice.



## HIGHLIGHTS

### Optics:

Full Cut-Off  
Type 2, Type 3, Type 4 & Type 5, Front Row  
35° Flood, 60° Flood  
Clear, Polycarbonate Lens  
Glare Shields

### Efficacy:

Ultra-High Efficacy-Up to 183 Lumens per Watt  
Industry Leading

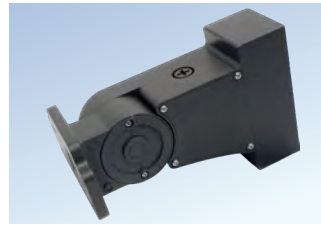
### Construction:

Extruded Aluminum Body  
Heavy Duty Powder Coating  
Modern Form Factor

### Controls/Sensors:

Linmore LED Driver 0-10V Dimming  
Motion/Dimming Sensor  
Photo Cell  
Wireless Controls

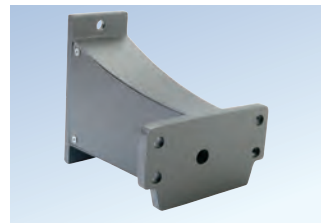
### Bracket Options:



**Rapid Mount Bracket**  
(Patent Pending)



**Slip Fitter**  
(Knuckle Adapter)



**Straight Arm**



**Trunnion (Yoke) Bracket**

# SITE LIGHTER (SL1)

## Specifications

Suitability	Wet Locations-IP65 Rated	Operating Temperature	-40F to +130F
Warranty	10 Years	Efficacy	(5000K) Up to 183 Lumens/Watt
Expected Life	L70- 150,000 Hours	Voltage	120-277V, 200-480V
System Wattages	50W, 75W, 100W, 125W, 150W, 200W & 300W, 400W	Certifications	UL 1598, FCC CFR 47, Part 15, ROHS, CUL Canada, BAA/TAA Compliant, ANSI C136.31-2010 "ANS for Roadway and Area Lighting Equipment - Luminaire Vibration"
Color Rendering Index (CRI)	>70	Design Lights Consortium	Yes
Color Temperature	2200K, 3500K, 4000K & 5000K		

## Ordering Information

Model	Housing Size	Wattage (WD)	Kelvin	Optic	Volts	Housing Color	Mounting	Options
LL-SL1-	Small (SM)	50	2200K (22K)	Type 2 (T2)	120-277V (UNV)	Bronze (BRN)	Slip Fitter (SF)	FSP-201 (SN)
	Medium (MD)	75	3500K (35K)	Type 3 (T3)	200-480V (HV)	White (WHT)	Standard Arm (SA)	Photo Cell (PC)
	Large (LG)	100	4000K (40K)	Type 4 (T4)		Black (BLK)	Trunnion (TM)	
	Extra Large (XL)	125	5000K (50K)	Type 5 (T5)	Custom (CUS)*	Rapid Mount Bracket (RMB)		
		150		Front Row (FR)				
		200		Flood (35)				
		300		Flood (60)				
	400							

\* Special Order

### Example

LL-SL1-SM-75WD-50K-T2-UNV-BRN-SF-SN

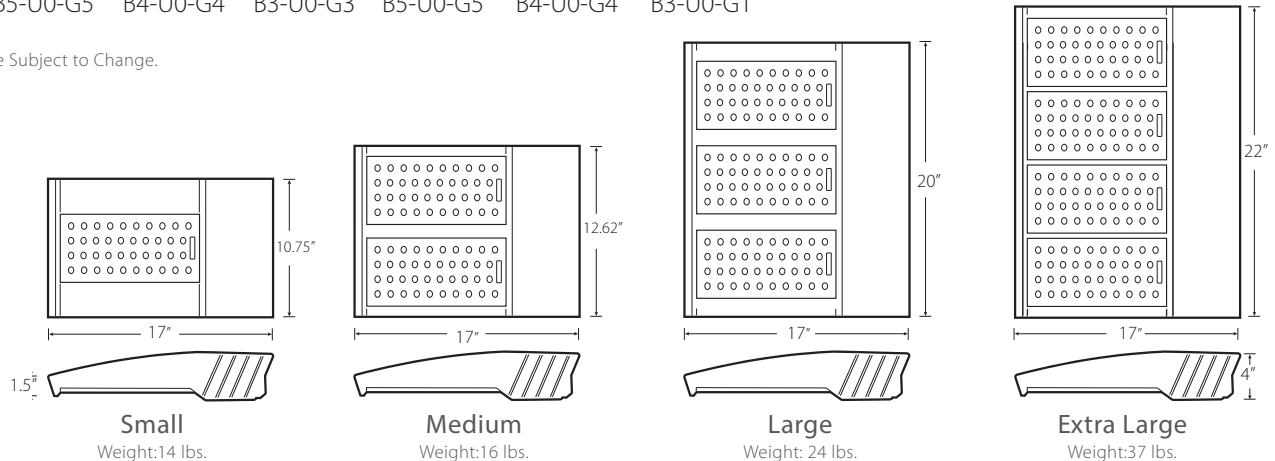
(WD denotes Wattage and Dimming Driver)

## Lumen Packages

	T2	T3	T4	T5	FR Optics	60	Housing Type	Size (W x L x H)	Weight
50W	9897	9838	9611	9516	8750	7000	Small	10.75 x 17 x 4 (taper to 1.5)	14
75W	13104	13026	12636	12558	8250	10500	Small	10.75 x 17 x 4 (taper to 1.5)	14
100W	16224	16126	15600	16175	14800	14000	Small	10.75 x 17 x 4 (taper to 1.5)	14
125W	21710	21493	20930	21645	20625	17250	Medium	12.62 x 17 x 4 (taper to 1.5)	16
150W	25272	25019	24382	25196	23250	20700	Medium	12.62 x 17 x 4 (taper to 1.5)	16
200W	30923	30745	32240	29648	29600	26800	Medium	12.62 x 17 x 4 (taper to 1.5)	16
300W	47424	46950	45552	47282	46500	40200	Large	20 x 17 x 4 (taper to 1.5)	24
400W	61000	61000	64000	59500	58000	52000	Extra Large	22 x 17 x 4 (taper to 1.5)	37

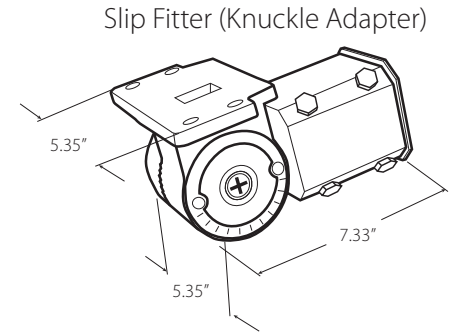
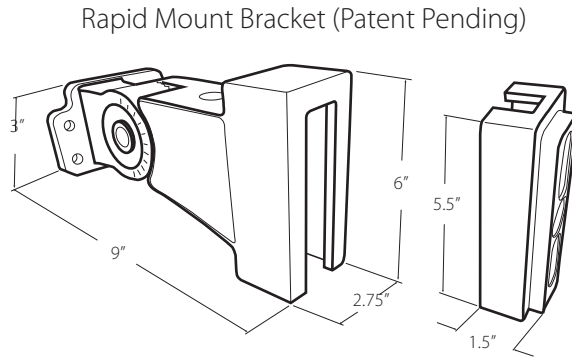
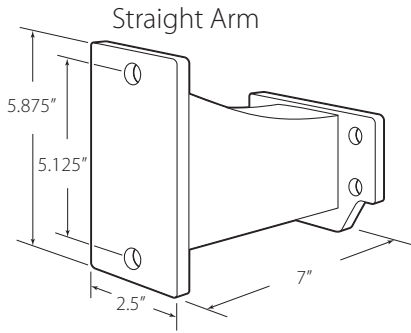
BUG B5-U0-G5 B4-U0-G4 B3-U0-G3 B5-U0-G5 B4-U0-G4 B3-U0-G1

Specifications are Subject to Change.



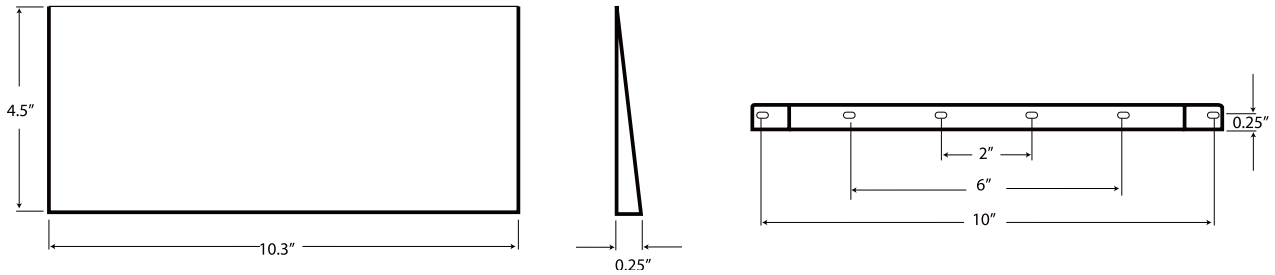


## SITE LIGHTER (SL1)

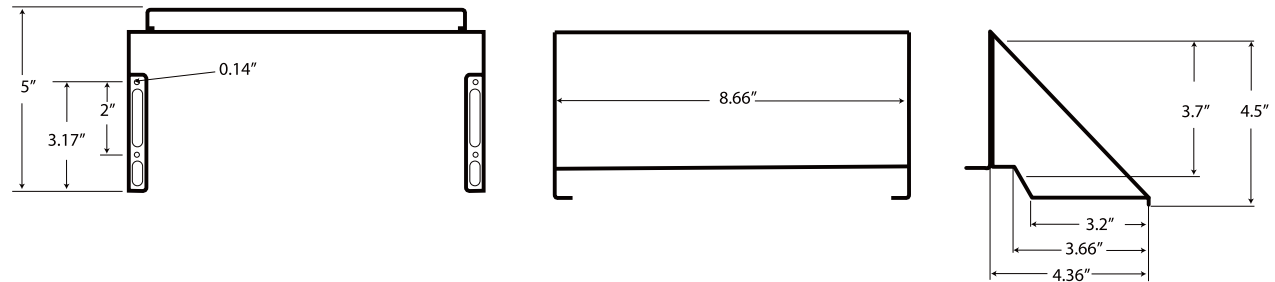


**Cannot be mounted at an angle greater than 60°**

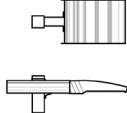
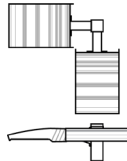
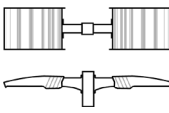
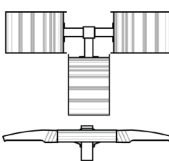
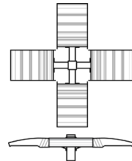
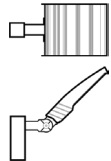
### Glare Shield - Side



### Glare Shield - Back



## EPA Calculation

Wattage						
50W	0.61	0.88	1.22	1.24	1.24	0.46
75W	0.61	0.88	1.22	1.24	1.24	0.46
100W	0.61	0.88	1.22	1.24	1.24	0.46
125W	0.61	0.88	1.22	1.24	1.24	0.46
150W	0.61	0.88	1.22	1.24	1.24	0.46
200W	0.61	0.92	1.22	1.24	1.24	0.46
300W	0.61	0.97	1.22	1.24	1.24	0.46
400W	0.61	0.97	1.22	1.24	1.24	0.46



## SITE LIGHTER (SL1)

### Available Colors

STANDARD BRONZE	Alesta® CPC Gray Mini Tex PFHF324T0
BLACK	Alesta® Matte Black II UFB655S2
GRAY	RAL 7045 Telegrey 1
WHITE	Tiger Drylac™ White Matte 049/1135

### System Components

T2	Type 2 Optics
T3	Type 3 Optics
T4	Type 4 Optics
T5	Type 5 Optics
FR-L	Front Row Optics
FR-R	Front Row Optics
FL35	Flood Optics 35 Degrees
FL60	Flood Optics 60 Degrees
LL-SL1-SM-GSB	Site Lighter Glare Shield Back for use with Small Chassis (50-100w)
LL-SL1-MD-GSB	Site Lighter Glare Shield Back for use with Medium Chassis (125-200w)
LL-SL1-LG-GSB	Site Lighter Glare Shield Back for use with Large Chassis (300w)
LL-SL1-XL-GSB	Site Lighter Glare Shield Back for use with Extra Large Chassis (400w)
LL-SL2-ALL-GSS	Side Lighter Glare Shield Side for use with All Models, each
HV1	High Voltage Driver, 200-480 Volt, for SL1 Fixtures up to 200 Watts, adder
HV2	High Voltage Driver, 200-480 Volt, for SL1 Fixtures over 201 Watts, adder
SPD-277P-20KA-EC1	20ka Surge Suppressor
PC-UNV	Photocell, Button, Mounted in Side Plate, 120-277 Volt
PC-480V	Photocell, Twist Lock, 480 Volt
LL-SL1-RMB	Rapid Mount Bracket
LL-SL1-SA	Straight Arm Bracket
LL-SL1-SF	Slip Fitter Bracket
LL-SL1-TM	Trunion Mount Bracket
LL-SL1-A1	Vertical or Horizontal Mount for Flat Surfaces
LL-SL1-A2	Horizontal Mount for Round Poles
LL-SL1-A3	Horizontal Wall Mount
LL-SL1-A4	Vertical Wall Mount
LL-SL1-A10	Single Fixture Multi-Mount Bracket
LL-SL1-A12	Round to Square Pole Adapter
LL-SL1-A5	Square to Vertical Slip Fitter Adapter for 4" Square Pole
LL-SL1-A6	Square to Vertical Slip Fitter Adapter for 5" Square Pole
LL-SL1-A18	Square to Vertical Slip Fitter Adapter for 6" Square Pole
LL-SL1-A7	Round Pole to Slip Fitter Adapter for 4" Round Pole
LL-SL1-A14	Round Pole to Slip Fitter Adapter for 3" Round Pole
LL-SL1-A17	Slip Fitter Adapter for 4"-5" Square Poles
LL-SL1-A8	Two Fixture Bullhorn
LL-SL1-A9	Three Fixture Y Tenon
LL-SL1-A11	Three Fixture Straight Tenon
LL-SL1-A13	Four Fixture 90° Cross Arm
LL-SL1-A15	Three Fixture T Tenon
LL-SL1-A16	Two Fixture L Tenon

A detailed Exterior Application Guide can be found at [linmoreled.com/support/Exterior-Application-Guide.pdf](http://linmoreled.com/support/Exterior-Application-Guide.pdf)

## SITE LIGHTER (SL1)

**Linmore LED Labs Site Lighter (SL1)** is a superior combination of performance, value, and form factor. The body of the Site Lighter is unique in that it is extruded aluminum and exceptional at moving thermal energy while the rest of the market uses castings or weldments. Beyond the thermal efficiency of the housing, the aesthetics are modern and attractive. Efficacy averages 165 lumens/watt across our models putting the Site Lighter in rare space and bringing ultra-low wattages to site lighting. A variety of optic packages direct the light where it is needed. Built to last, the Site Lighter incorporates Linmore's drivers for years of sustainable ownership. When the objective is to maximize value in your exterior lighting with power, energy savings, and aesthetics, the Linmore Site Lighter is the clear choice.



## HIGHLIGHTS

### Optics:

Full Cut-Off  
Type 2, Type 3, Type 4 & Type 5, Front Row  
35° Flood, 60° Flood  
Clear, Polycarbonate Lens  
Glare Shields

### Efficacy:

Ultra-High Efficacy-Up to 183 Lumens per Watt  
Industry Leading

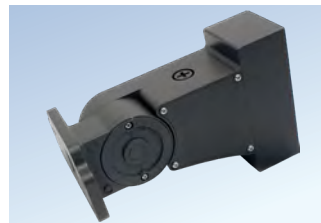
### Construction:

Extruded Aluminum Body  
Heavy Duty Powder Coating  
Modern Form Factor

### Controls/Sensors:

Linmore LED Driver 0-10V Dimming  
Motion/Dimming Sensor  
Photo Cell  
Wireless Controls

### Bracket Options:



**Rapid Mount Bracket**  
(Patent Pending)



**Slip Fitter**  
(Knuckle Adapter)



**Straight Arm**



**Trunnion (Yoke) Bracket**

# SITE LIGHTER (SL1)

## Specifications

Suitability	Wet Locations-IP65 Rated	Operating Temperature	-40F to +130F
Warranty	10 Years	Efficacy	(5000K) Up to 183 Lumens/Watt
Expected Life	L70- 150,000 Hours	Voltage	120-277V, 200-480V
System Wattages	50W, 75W, 100W, 125W, 150W, 200W & 300W, 400W	Certifications	UL 1598, FCC CFR 47, Part 15, ROHS, CUL Canada, BAA/TAA Compliant, ANSI C136.31-2010 "ANS for Roadway and Area Lighting Equipment - Luminaire Vibration"
Color Rendering Index (CRI)	>70	Design Lights Consortium	Yes
Color Temperature	2200K, 3500K, 4000K & 5000K		

## Ordering Information

Model	Housing Size	Wattage (WD)	Kelvin	Optic	Volts	Housing Color	Mounting	Options
LL-SL1-	Small (SM)	50	2200K (22K)	Type 2 (T2)	120-277V (UNV)	Bronze (BRN)	Slip Fitter (SF)	FSP-201 (SN)
	Medium (MD)	75	3500K (35K)	Type 3 (T3)	200-480V (HV)	White (WHT)	Standard Arm (SA)	Photo Cell (PC)
	Large (LG)	100	4000K (40K)	Type 4 (T4)		Black (BLK)	Trunnion (TM)	
	Extra Large (XL)	125	5000K (50K)	Type 5 (T5)		Custom (CUS)*	Rapid Mount Bracket (RMB)	
		150		Front Row (FR)				
		200		Flood (35)				
		300		Flood (60)				
		400						

\* Special Order

### Example

LL-SL1-SM-75WD-50K-T2-UNV-BRN-SF-SN

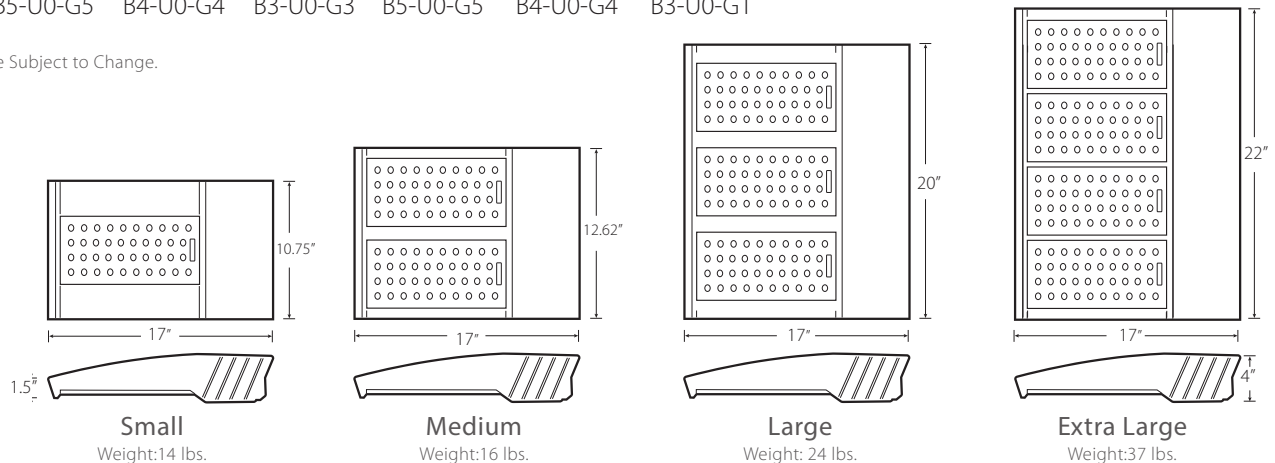
(WD denotes Wattage and Dimming Driver)

## Lumen Packages

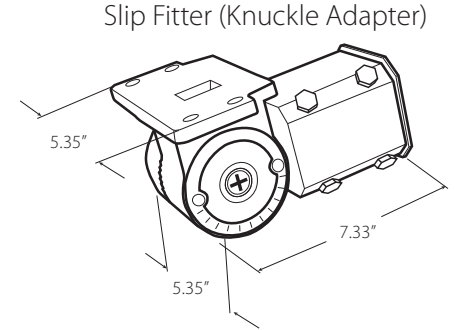
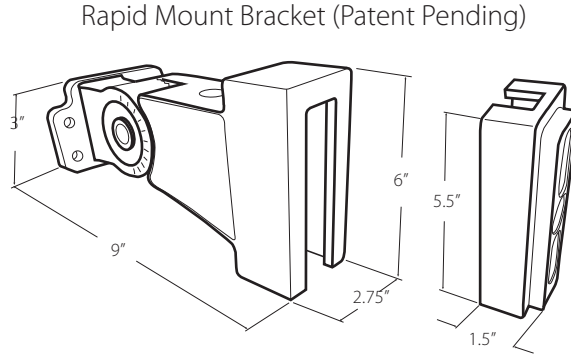
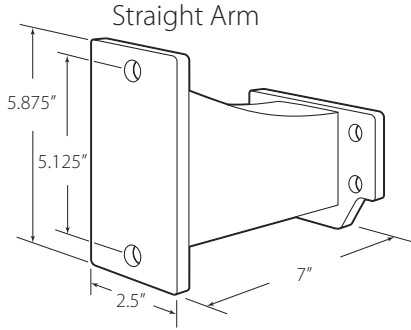
	T2	T3	T4	T5	FR Optics	60	Housing Type	Size (W x L x H)	Weight
50W	9897	9838	9611	9516	8750	7000	Small	10.75 x 17 x 4 (taper to 1.5)	14
75W	13104	13026	12636	12558	8250	10500	Small	10.75 x 17 x 4 (taper to 1.5)	14
100W	16224	16126	15600	16175	14800	14000	Small	10.75 x 17 x 4 (taper to 1.5)	14
125W	21710	21493	20930	21645	20625	17250	Medium	12.62 x 17 x 4 (taper to 1.5)	16
150W	25272	25019	24382	25196	23250	20700	Medium	12.62 x 17 x 4 (taper to 1.5)	16
200W	30923	30745	32240	29648	29600	26800	Medium	12.62 x 17 x 4 (taper to 1.5)	16
300W	47424	46950	45552	47282	46500	40200	Large	20 x 17 x 4 (taper to 1.5)	24
400W	61000	61000	64000	59500	58000	52000	Extra Large	22 x 17 x 4 (taper to 1.5)	37

BUG B5-U0-G5 B4-U0-G4 B3-U0-G3 B5-U0-G5 B4-U0-G4 B3-U0-G1

Specifications are Subject to Change.

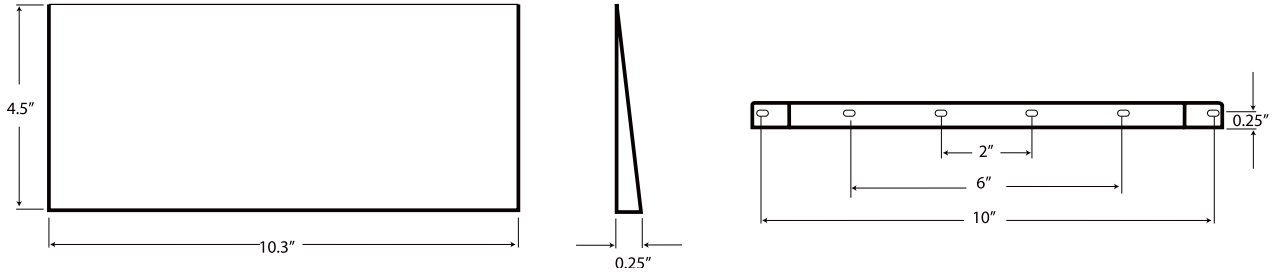


## SITE LIGHTER (SL1)

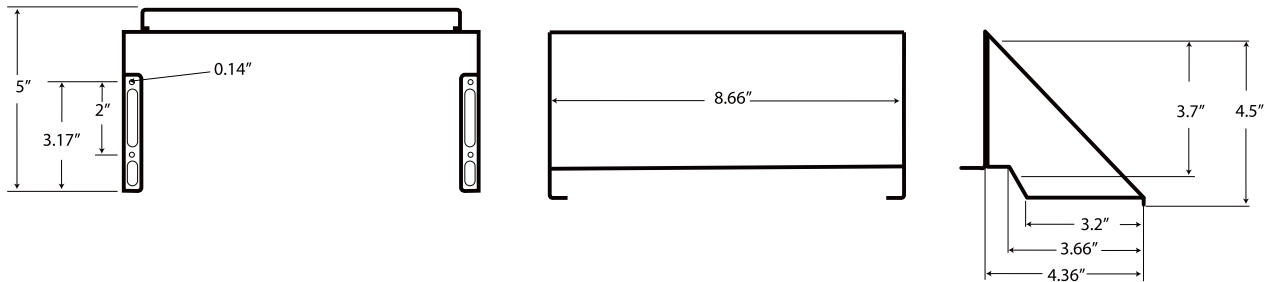


**Cannot be mounted at an angle greater than 60°**

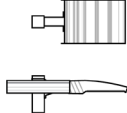
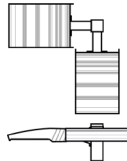
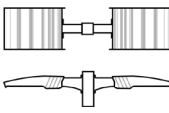
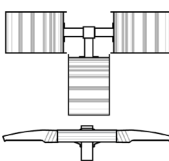
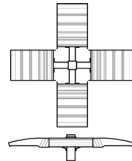
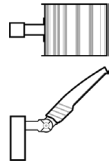
### Glare Shield - Side



### Glare Shield - Back



## EPA Calculation

Wattage						
50W	0.61	0.88	1.22	1.24	1.24	0.46
75W	0.61	0.88	1.22	1.24	1.24	0.46
100W	0.61	0.88	1.22	1.24	1.24	0.46
125W	0.61	0.88	1.22	1.24	1.24	0.46
150W	0.61	0.88	1.22	1.24	1.24	0.46
200W	0.61	0.92	1.22	1.24	1.24	0.46
300W	0.61	0.97	1.22	1.24	1.24	0.46
400W	0.61	0.97	1.22	1.24	1.24	0.46



## SITE LIGHTER (SL1)

### Available Colors

STANDARD BRONZE	Alesta® CPC Gray Mini Tex PFHF324T0
BLACK	Alesta® Matte Black II UFB655S2
GRAY	RAL 7045 Telegrey 1
WHITE	Tiger Drylac™ White Matte 049/1135

### System Components

T2	Type 2 Optics
T3	Type 3 Optics
T4	Type 4 Optics
T5	Type 5 Optics
FR-L	Front Row Optics
FR-R	Front Row Optics
FL35	Flood Optics 35 Degrees
FL60	Flood Optics 60 Degrees
LL-SL1-SM-GSB	Site Lighter Glare Shield Back for use with Small Chassis (50-100w)
LL-SL1-MD-GSB	Site Lighter Glare Shield Back for use with Medium Chassis (125-200w)
LL-SL1-LG-GSB	Site Lighter Glare Shield Back for use with Large Chassis (300w)
LL-SL1-XL-GSB	Site Lighter Glare Shield Back for use with Extra Large Chassis (400w)
LL-SL2-ALL-GSS	Side Lighter Glare Shield Side for use with All Models, each
HV1	High Voltage Driver, 200-480 Volt, for SL1 Fixtures up to 200 Watts, adder
HV2	High Voltage Driver, 200-480 Volt, for SL1 Fixtures over 201 Watts, adder
SPD-277P-20KA-EC1	20ka Surge Suppressor
PC-UNV	Photocell, Button, Mounted in Side Plate, 120-277 Volt
PC-480V	Photocell, Twist Lock, 480 Volt
LL-SL1-RMB	Rapid Mount Bracket
LL-SL1-SA	Straight Arm Bracket
LL-SL1-SF	Slip Fitter Bracket
LL-SL1-TM	Trunion Mount Bracket
LL-SL1-A1	Vertical or Horizontal Mount for Flat Surfaces
LL-SL1-A2	Horizontal Mount for Round Poles
LL-SL1-A3	Horizontal Wall Mount
LL-SL1-A4	Vertical Wall Mount
LL-SL1-A10	Single Fixture Multi-Mount Bracket
LL-SL1-A12	Round to Square Pole Adapter
LL-SL1-A5	Square to Vertical Slip Fitter Adapter for 4" Square Pole
LL-SL1-A6	Square to Vertical Slip Fitter Adapter for 5" Square Pole
LL-SL1-A18	Square to Vertical Slip Fitter Adapter for 6" Square Pole
LL-SL1-A7	Round Pole to Slip Fitter Adapter for 4" Round Pole
LL-SL1-A14	Round Pole to Slip Fitter Adapter for 3" Round Pole
LL-SL1-A17	Slip Fitter Adapter for 4"-5" Square Poles
LL-SL1-A8	Two Fixture Bullhorn
LL-SL1-A9	Three Fixture Y Tenon
LL-SL1-A11	Three Fixture Straight Tenon
LL-SL1-A13	Four Fixture 90° Cross Arm
LL-SL1-A15	Three Fixture T Tenon
LL-SL1-A16	Two Fixture L Tenon

A detailed Exterior Application Guide can be found at [linmoreled.com/support/Exterior-Application-Guide.pdf](http://linmoreled.com/support/Exterior-Application-Guide.pdf)

# SYLVANIA Luminaires

## UltraLED™ RT

### Recessed Downlight

#### Application

SYLVANIA UltraLED RT is a universal input voltage 5", 6" and 8" compatible LED recessed downlight kit that creates high performing white light and is optimized for new construction and retrofit applications utilizing pin-based compact fluorescent lamps. Installation is done quickly and easily in most standard six-inch and eight-inch frames. The SYLVANIA UltraLED RT series is designed to seamlessly integrate with SYLVANIA field-installable, integrated emergency battery back-up drivers.

#### Benefits and Features

- 85° beam angle
- Battery back-up ready connection increases the ease of installation
- High CRI (>90) ensures a high quality light
- Up to 94 LPW
- Offered in 700lm (9W), 900lm (12W), 1500lm (17W), 2000lm (23W), 3000lm (32W), 5000lm (57W) versions
- Energy savings up to 56%

#### Electrical

- Designed to operate at 120VAC or 120-277VAC (see ordering information for further details)
- Power Factor >.9
- THD <20%
- Phase-cut dimmable for RT5/6 700lm, 0-10V dimmable for all other versions

#### Rated Life

- ≥50,000 hours (L<sub>70</sub>) @25°C

#### Warranty

- 5-year standard warranty

#### Ambient Operating Range

- -4°F to +104°F (-20°C to +40°C)

Item #
Type
Project
Notes
Date



#### Wattage Comparison

Traditional Source	LED System Wattage	Energy Savings
13W CFL	9W	31%
18W CFL	12W	33%
32W CFL	17W	47%
2x26W CFL	23W	56%
2x32W CFL	32W	50%
2x42W CFL	57W	32%

#### Certifications and Listings

- cETLus
- RoHS
- FCC
- ENERGY STAR®
- Classified for stand-alone and retrofit applications as per UL 1598/1598C
- RT6 and RT8 2000 lumens are IC rated for direct contact with insulation. Allows for installation without a housing
- Certified airtight as per ASTM E283-04
- Suitable for dry, damp, and wet locations

#### Installation

- Installation performed as a stand-alone kit is recommended for hard ceilings. Installation of a recessed incandescent frame is recommended for tiled ceiling application.





## Ordering Guide

LEDRT	XX	/	R	3A	XXXX	X	X	/	9	XX
LEDRT = LED Downlights	Size 5/6 = 5/6" compatible can 6 = 6" compatible can 8 = 8" compatible can		Shape R = Round	Generation 3A = Generation 3A	Lumens output 700 = 700lm 900 = 900lm 1500 = 1500lm 2000 = 2000lm 3000 = 3000lm 5000 = 5000lm	Voltage U = 120-277V S = 120V	Dimming D = 0-10V T = Phase-Cut		CRI 9 = >90	27 = 2700K 30 = 3000K 35 = 3500K 40 = 4000K 50 = 5000K

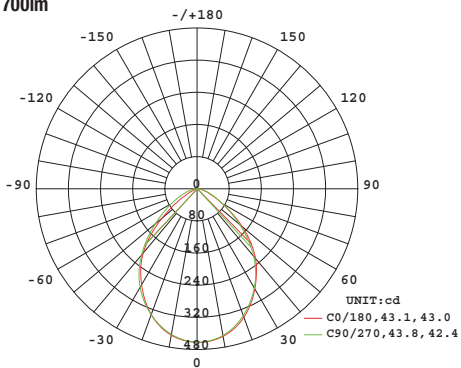
## Ordering Information

Item Number	Ordering Abbreviation	Power (W)	Input Voltage	Dimming	CRI	Color Temp (CCT)	Total Fixture Lumens	ENERGY STAR Listed	LPW
60765	LEDRT56/R3A700ST/927	9	120V	Phase-Cut	90	2700K	700	Yes	78
60766	LEDRT56/R3A700ST/930	9	120V	Phase-Cut	90	3000K	700	Yes	78
60767	LEDRT56/R3A700ST/935	9	120V	Phase-Cut	90	3500K	700	Yes	78
60768	LEDRT56/R3A700ST/940	9	120V	Phase-Cut	90	4000K	700	Yes	78
60769	LEDRT56/R3A700ST/950	9	120V	Phase-Cut	90	5000K	700	Yes	78
61446	LEDRT56/R3A700UD/927	9	120-277V	0-10V	90	2700K	700	Yes	77
61447	LEDRT56/R3A700UD/930	9	120-277V	0-10V	90	3000K	700	Yes	77
61448	LEDRT56/R3A700UD/935	9	120-277V	0-10V	90	3500K	700	Yes	77
61449	LEDRT56/R3A700UD/940	9	120-277V	0-10V	90	4000K	700	Yes	77
61450	LEDRT56/R3A700UD/950	9	120-277V	0-10V	90	5000K	700	Yes	77
60770	LEDRT56/R3A900UD/927	12	120-277V	0-10V	90	2700K	900	Yes	75
60771	LEDRT56/R3A900UD/930	12	120-277V	0-10V	90	3000K	900	Yes	75
60772	LEDRT56/R3A900UD/935	12	120-277V	0-10V	90	3500K	900	Yes	75
60773	LEDRT56/R3A900UD/940	12	120-277V	0-10V	90	4000K	900	Yes	75
60774	LEDRT56/R3A900UD/950	12	120-277V	0-10V	90	5000K	900	Yes	75
60775	LEDRT6/R3A1500UD/930	17	120-277V	0-10V	90	3000K	1500	Yes	88
60776	LEDRT6/R3A1500UD/935	17	120-277V	0-10V	90	3500K	1500	Yes	88
60777	LEDRT6/R3A1500UD/940	17	120-277V	0-10V	90	4000K	1500	Yes	88
60778	LEDRT6/R3A1500UD/950	17	120-277V	0-10V	90	5000K	1500	Yes	88
60779	LEDRT8/R3A2000UD/930	23	120-277V	0-10V	90	3000K	2000	Yes	87
60780	LEDRT8/R3A2000UD/935	23	120-277V	0-10V	90	3500K	2000	Yes	87
60781	LEDRT8/R3A2000UD/940	23	120-277V	0-10V	90	4000K	2000	Yes	87
60782	LEDRT8/R3A2000UD/950	23	120-277V	0-10V	90	5000K	2000	Yes	87
60783	LEDRT8/R3A3000UD/930	32	120-277V	0-10V	90	3000K	3000	Yes	94
60784	LEDRT8/R3A3000UD/935	32	120-277V	0-10V	90	3500K	3000	Yes	94
60785	LEDRT8/R3A3000UD/940	32	120-277V	0-10V	90	4000K	3000	Yes	94
60786	LEDRT8/R3A3000UD/950	32	120-277V	0-10V	90	5000K	3000	Yes	94
60787	LEDRT8/R3A5000UD/930	57	120-277V	0-10V	90	3000K	5000	Yes	93
60788	LEDRT8/R3A5000UD/935	57	120-277V	0-10V	90	3500K	5000	Yes	93
60789	LEDRT8/R3A5000UD/940	57	120-277V	0-10V	90	4000K	5000	Yes	93



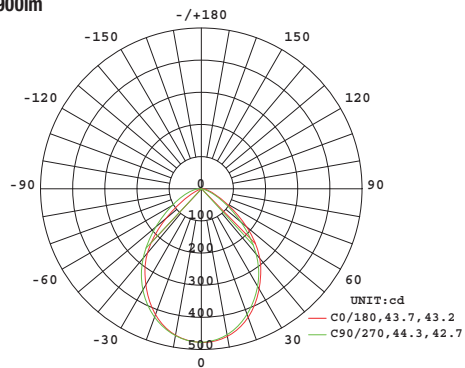
# Photometric Data

700lm



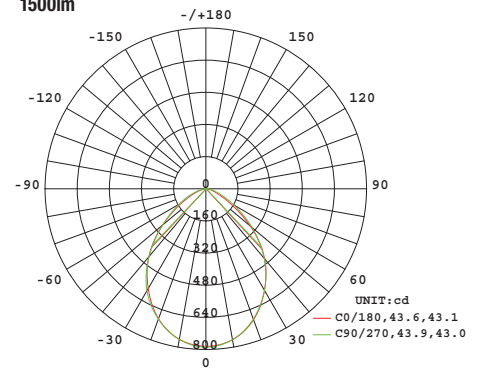
AVERAGE BEAM ANGLE(50%):86.1 DEG

900lm



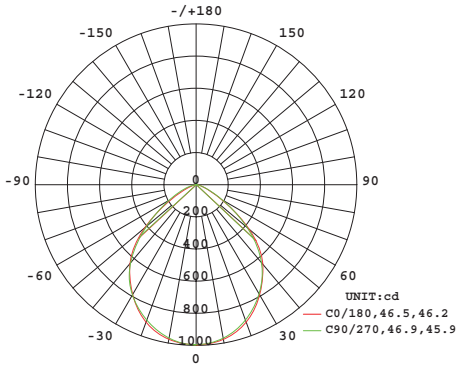
AVERAGE BEAM ANGLE(50%):86.9 DEG

1500lm



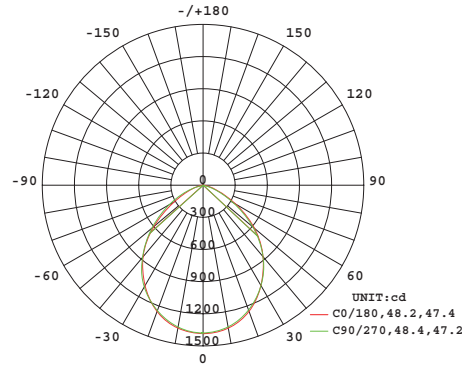
AVERAGE BEAM ANGLE(50%):86.8 DEG

2000lm



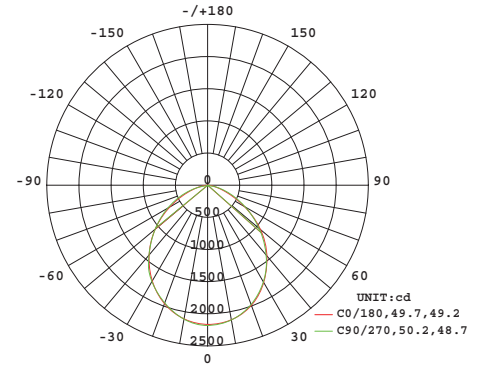
AVERAGE BEAM ANGLE(50%):92.7 DEG

3000lm



AVERAGE BEAM ANGLE(50%):95.6 DEG

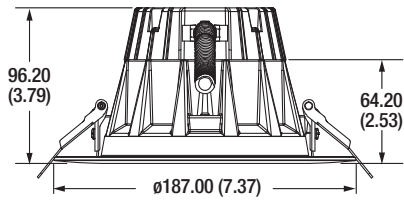
5000lm



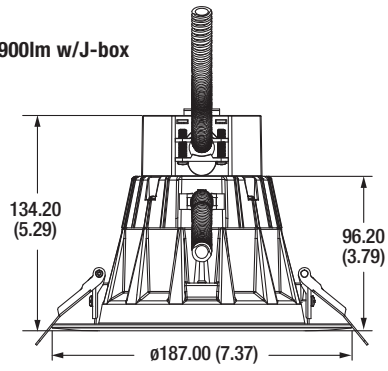
AVERAGE BEAM ANGLE(50%):98.9 DEG

**Physical Information**

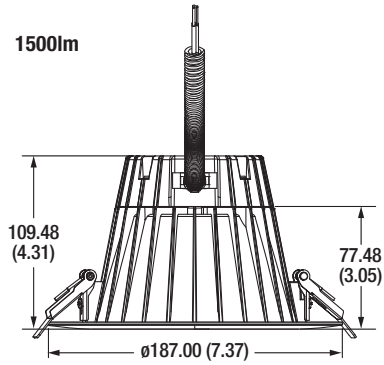
**700lm & 900lm**



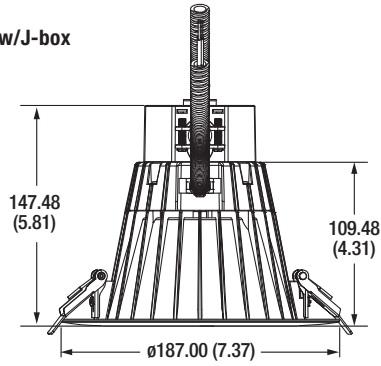
**700lm & 900lm w/J-box**



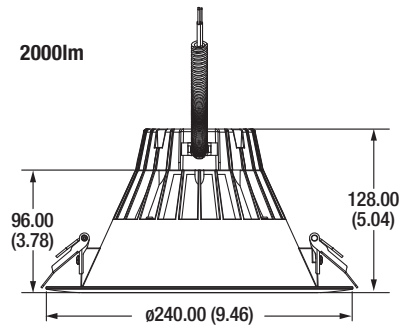
**1500lm**



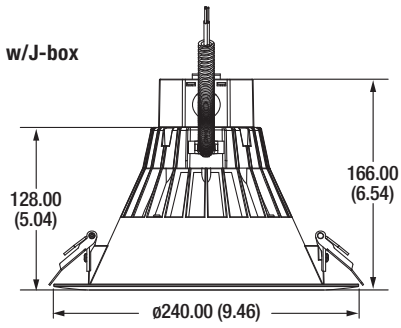
**1500lm w/J-box**



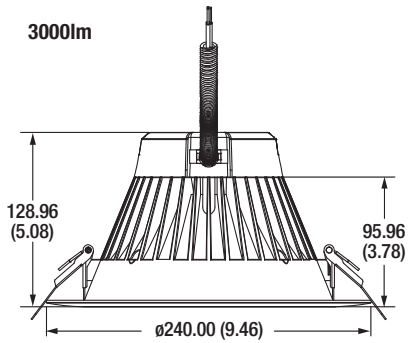
**2000lm**



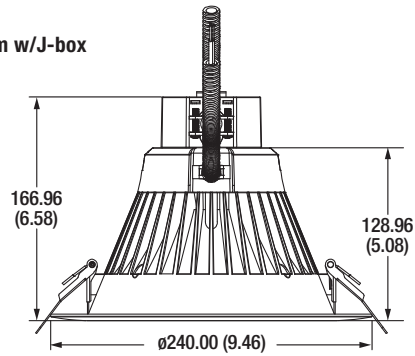
**2000lm w/J-box**



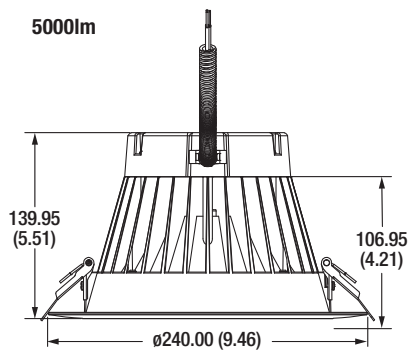
**3000lm**



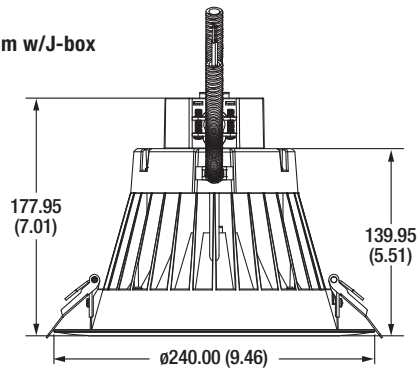
**3000lm w/J-box**



**5000lm**



**5000lm w/J-box**



Dimensions in mm (in)

## Accessories

### RT5/6 Retrofit Trim

75095	RT/5/6/TRIM/DKBZ	Dark bronze trim ring
75097	RT/5/6/TRIM/BLK	Black trim ring
75098	RT/5/6/TRIM/ORBZ	Bronze trim ring
75099	RT/5/6/TRIM/SN	Satin nickel trim ring

### RT5/6 Trim Ring Extender

75082	RT6/8/TRIMEXT	Trim extender for 8" cans
-------	---------------	---------------------------

### RT5/6 Rough In Frame

71708	LED/RT6HO/FRAME	6" recessed rough-in frame
-------	-----------------	----------------------------

### RT8 Retrofit Trim

75092	RT8/TRIM/ALZAK	White trim and aluminum inner trim
75093	RT8/TRIM/SN	Satin nickel trim ring

### RT8 Trim Ring Extender

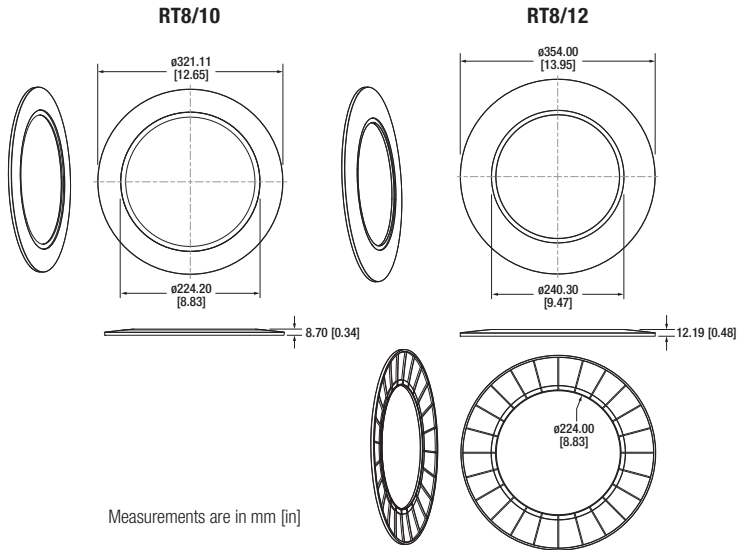
75083	RT8/10/TRIMEXT	Trim extender for 10" cans
74991	RT8/12/TRIMEXT	Trim extender for 12" cans

### RT8 Rough In Frame

71709	LED/RT8/FRAME	8" recessed rough-in frame
-------	---------------	----------------------------



## RT8 Trim Ring Extenders



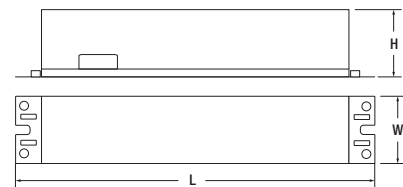
## Emergency Battery Back-Up Accessories

### Emergency Battery Back-Up Specs

NAED	Description	Input Voltage	Frequency	Input Current	Watt Hours	Max Mounting Height	Ambient Temp	Charging Time	Rating	Warranty
60887	EMBB1A5WDC	120-277V <sub>AC</sub>	50/60 Hz	100mA Max.	9.6Wh	22.63ft	0-50°C	24 hours	Damp	4 years
60888	EMBB1A8WDC	120-277V <sub>AC</sub>	50/60 Hz	100mA Max.	14.4Wh	22.26ft	0-50°C	24 hours	Damp	4 years
60889	EMBB1A16WDC	120-277V <sub>AC</sub>	50/60 Hz	100mA Max.	28.8Wh	22.13ft	0-50°C	32 hours	Damp	4 years

### Compatibility Table

RT	EMBB	Current (mA)	RT Lumens	Duration
LEDRT5/6R3A700ST9XX	EMBB1A5WDC	100	350	90 mins
LEDRT5/6R3A900UD9XX	EMBB1A5WDC	100	350	
	EMBB1A8WDC	150	500	
LEDRT6R3A1500UD9XX	EMBB1A8WDC	150	550	
	EMBB1A8WDC	200	700	
LEDRT8R3A2000UD9XX	EMBB1A8WDC	150	550	
	EMBB1A8WDC	200	700	
LEDRT8R3A3000UD9XX	EMBB1A8WDC	200	750	
	EMBB1A16WDC	300	1200	
LEDRT8R3A5000UD9XX	EMBB1A8WDC	200	750	
	EMBB1A16WDC	300	1200	

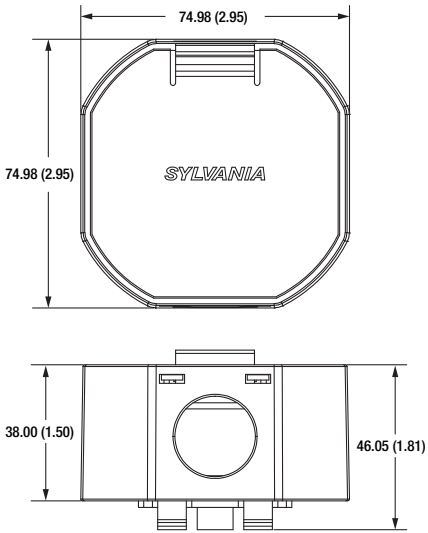


Dimensions	Length (mm)
H	55.5
W	55
L	256

## Accessories (continued)

### Junction Box

60891 ACC/RT/EMBB-J-BOX Junction box for RT Emergency Battery Back-up (8 per SKU)



Dimensions in mm (in.)

LEDVANCE LLC  
200 Ballardvale Street  
Wilmington, MA 01887 USA  
Phone 1-800-LIGHTBULB (1-800-544-4828)  
www.sylvania.com

SYLVANIA and LEDVANCE are registered trademarks.  
All other trademarks are those of their respective owners.  
Licensee of product trademark SYLVANIA in general lighting.  
Specifications subject to change without notice.



Name:	<input type="text"/>
Email:	<input type="text"/>
Phone:	<input type="text"/>



## CCT SELECTABLE PL LAMP

### TYPE-B BALLAST BYPASS



#### PRODUCT DESCRIPTION:

Designed with a CCT Selectable feature that goes from warm to cool white light according to preference, LED PL Lamps are the versatile, energy-saving replacement for 13- and 18-watt compact fluorescent bulbs (CFL). The lamps are available in four base types to easily retrofit into recessed cans, sconces and ceiling luminaires, including enclosed fixtures. A simple ballast bypass ensures maintenance-free operation of 50,000 hours or longer, providing long-term performance reliability and cost savings.



#### FEATURES:

- CCT Selectable
- Impact resistant lens and cover
- 200° rotatable base
- Simple ballast bypass ensures maintenance-free operation
- Instant on
- Enclosed rated fixtures

#### LISTINGS:

- UL listed for dry and damp locations
- Not intended for use with emergency exits

#### WARRANTY:

5-year standard warranty (further details available at [www.maxlite.com/warranties](http://www.maxlite.com/warranties)) Product may be eligible for a warranty extension to 10 years, for an additional fee. Contact MaxLite for details.

#### ORDERING STRUCTURE

WATTAGE (NOMINAL)	FAMILY	BASE	CCT
6= 6W 8= 8W 11= 11W	PL= PL	G24Q= G24q, 4-pin E26= E26 screw base GU24= GU24, twist and lock GX23= GX23, 2-pin	CS= CCT Selectable 2700K, 3000K, 3500K, 4000K, 5000K

#### ORDER CODES

ORDER CODES	MODEL NUMBER
104735	6PLE26CS
104736	6PLG24QCS
104737	6PLGU24CS
104738	6PLGX23CS

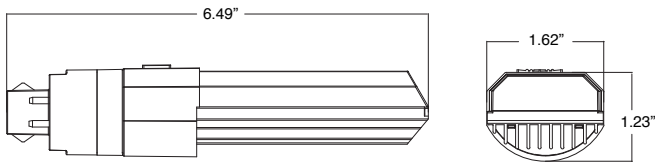
ORDER CODES	MODEL NUMBER
104739	8PLE26CS
104740	8PLG24QCS
104741	8PLGU24CS
104742	8PLGX23CS

ORDER CODES	MODEL NUMBER
104743	11PLE26CS
104744	11PLG24QCS
104745	11PLGU24CS
104746	11PLGX23CS

**SPECIFICATIONS**

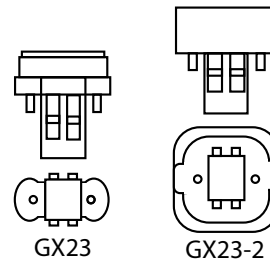
	6PL	8PL	11PL
	<b>DETAILS</b>		
<b>Nominal Wattage (W)</b>	6W	8W	11W
<b>Lumens Delivered (lm)</b>	550-625 lm	950-1050 lm	1400-1500 lm
<b>Efficacy (lm/W)</b>	92-104 lm/w	119-131 lm/w	127-136 lm/w
<b>Beam Angle</b>	120°		
<b>CRI</b>	≥80		
<b>Color Temperature (K)</b>	CCT Selectable 2700K, 3000K, 3500K, 4000K, 5000K		
<b>L70 Lifetime (Hrs)</b>	≥50,000 Hrs		
<b>Voltage</b>	120-277VAC		
<b>Power Factor</b>	≥0.90		
<b>Operating Temperature</b>	-4°F to 104°F (-20°C to 40°C)		
<b>Listings</b>	UL rated Dry/Damp location		
<b>Environment</b>	cULus, FCC		
<b>Warranty</b>	5 Years		

**PRODUCT DIMENSIONS:**

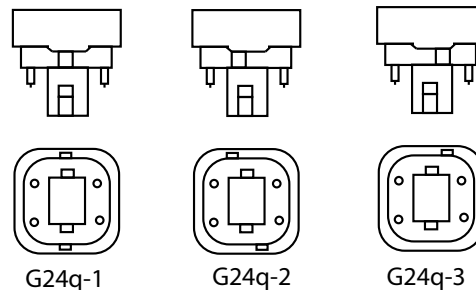


**BASES:**

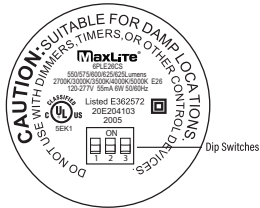
Our GX23 base lamps will fit into the following sockets:



Our G24q base lamps will fit into the following sockets:



**CCT DIP SWITCH DIAGRAM:**



CCT DIP SWITCH SETTINGS			
	Switch 1	Switch 2	Switch 3
2700K	--	--	ON
3000K	--	ON	--
3500K	--	ON	ON
4000K	ON	--	--
5000K	ON	--	ON



# LED PAR38

## 12PAR38/LED/840/F40/DIM/ULW/120V 6/1FB

Philips LED spots with a single optic beam, provide a clean beam that's free from shadows with beam angles from 15 and 40 degrees to suit every general lighting application.

### Product data

General Information	
Cap-Base	E26 [ Single Contact Medium Screw]
EU RoHS compliant	Yes
Nominal Lifetime (Nom)	25000 h
Switching Cycle	25000X
Technical Type	12-90W

Light Technical	
Color Code	840 [ CCT of 4000K]
Beam Angle (Nom)	40 °
Luminous Flux (Nom)	900 lm
Luminous Intensity (Nom)	1900 cd
Color Designation	Cool White (CW)
Correlated Color Temperature (Nom)	4000 K
Luminous Efficacy (rated) (Nom)	75.00 lm/W
Color Consistency	<6
Color Rendering Index (Nom)	80
LLMF At End Of Nominal Lifetime (Nom)	70 %

Operating and Electrical	
Input Frequency	50 to 60 Hz
Power (Nom)	12 W
Lamp Current (Nom)	112 mA
Wattage Equivalent	90 W

Starting Time (Nom)	0.5 s
Warm Up Time to 60% Light (Nom)	0.5 s
Power Factor (Nom)	0.8
Voltage (Nom)	120 V

Temperature	
T-Case Maximum (Nom)	66 °C

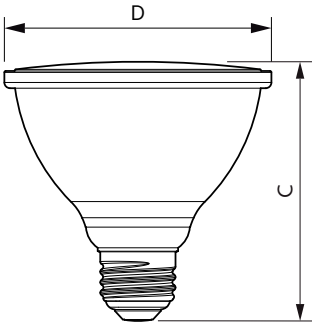
Controls and Dimming	
Dimmable	Yes

Approval and Application	
Energy Efficiency Label (EEL)	Not applicable
Suitable For Accent Lighting	Yes
Energy Consumption kWh/1000 h	- kWh

Product Data	
Order product name	12PAR38/LED/840/F40/DIM/ULW/120V 6/1FB
EAN/UPC - Product	046677529680
Order code	929001320204
Numerator - Quantity Per Pack	1
Numerator - Packs per outer box	6
Material Nr. (12NC)	929001320204
Net Weight (Piece)	0.385 kg

# LED PAR38

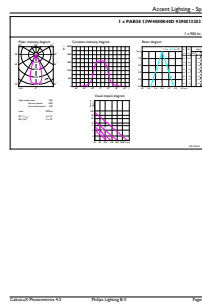
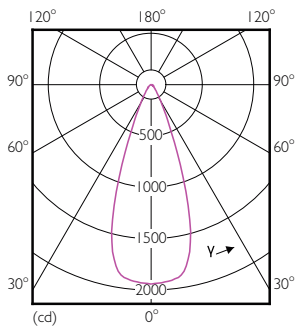
## Dimensional drawing



Classic PAR38 120V 11-90W 900lm 40D 4000

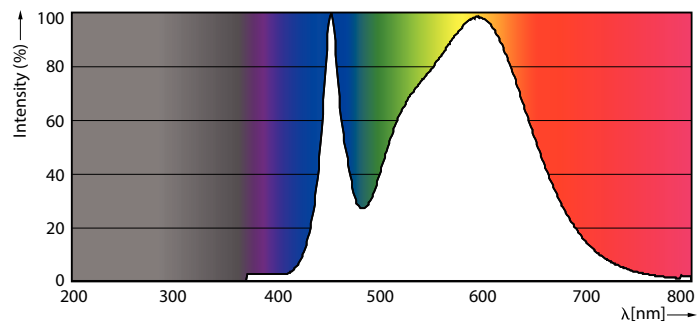
Product	D	C
12PAR38/LED/840/F40/DIM/ULW/120V 6/1FB	122 mm	134 mm

## Photometric data



12-90W E26 PAR38 40D 840 4000K

12-90W E26 PAR38 40D 840 4000K

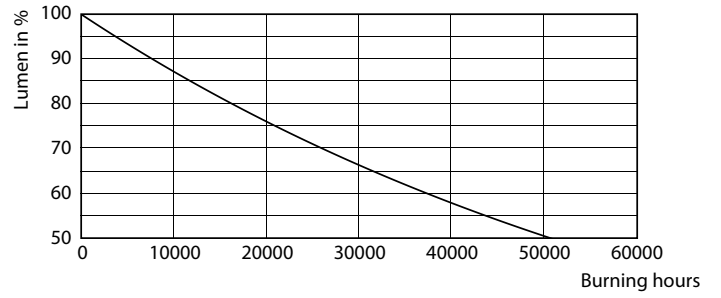
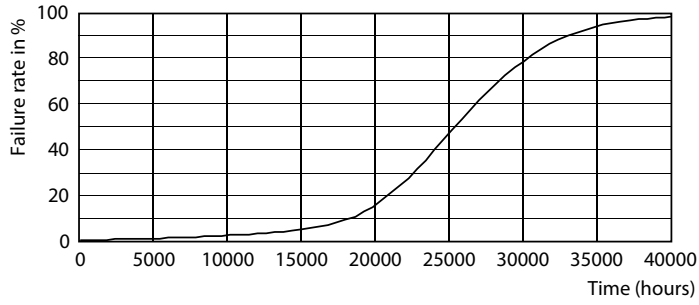


12-90W E26 PAR38



# LED PAR38

## Lifetime



14-120W E26 PAR38

14-120W E26 PAR38





# A-Shape LED

## 16A21/PER/827-22/P/E26/WG 6/1FB

Philips A-shape Dimmable LED lamps are the smart LED alternative to standard incandescents. The unique lamp design provides omi-directional light with excellent dimming performance.

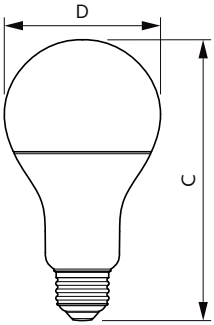
### Product data

General Information		Warm Up Time to 60% Light (Nom)	
Cap-Base	E26 [ Single Contact Medium Screw]		0.5 s
EU RoHS compliant	Yes	Power Factor (Nom)	0.8
Nominal Lifetime (Nom)	15000 h	Voltage (Nom)	120 V
Switching Cycle	50000X	Temperature	
Technical Type	16-100W	T-Case Maximum (Nom)	90 °C
Light Technical		Controls and Dimming	
Color Code	822-827 [ tunable warm white]	Dimmable	Yes
Beam Angle (Nom)	250 °	Mechanical and Housing	
Luminous Flux (Nom)	1600 lm	Bulb Finish	Frosted
Color Designation	Warm White (WW)	Approval and Application	
Correlated Color Temperature (Nom)	- K	Energy Efficiency Label (EEL)	Not applicable
Luminous Efficacy (rated) (Nom)	100.00 lm/W	Energy Consumption kWh/1000 h	- kWh
Color Consistency	<6	Product Data	
Color Rendering Index (Nom)	80	Order product name	16A21/PER/827-22/P/E26/WG 6/1FB
LLMF At End Of Nominal Lifetime (Nom)	70 %	EAN/UPC - Product	046677479480
Operating and Electrical		Order code	929001837704
Input Frequency	60 Hz	Numerator - Quantity Per Pack	1
Power (Nom)	16 W	Numerator - Packs per outer box	6
Lamp Current (Nom)	180 mA	Material Nr. (12NC)	929001837704
Wattage Equivalent	100 W		
Starting Time (Nom)	0.5 s		

# A-Shape LED

Net Weight (Piece) 0.058 kg

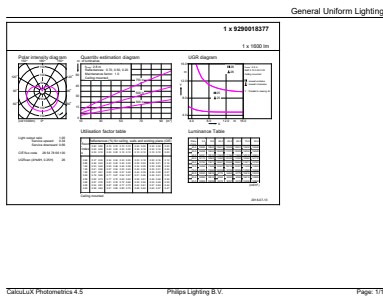
## Dimensional drawing



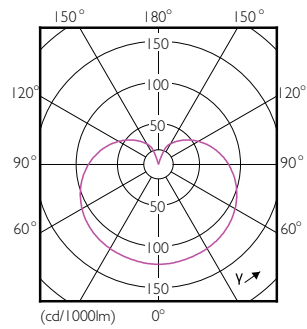
Bulb A21 16-100W 1600lm 2200-2700K E26

Product	D	C
16A21/PER/827-22/P/E26/WG 6/1FB	78 mm	140 mm

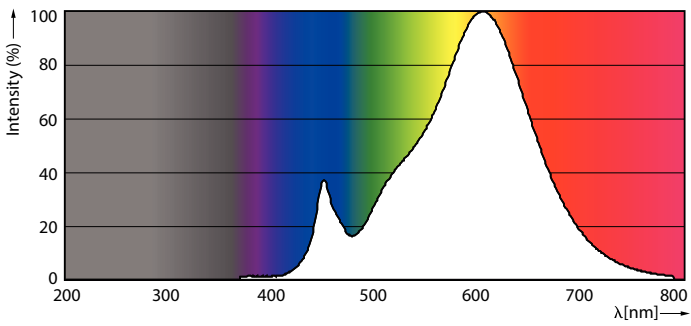
## Photometric data



100W E26 A21 FR 250D 822-827 2200-2700K



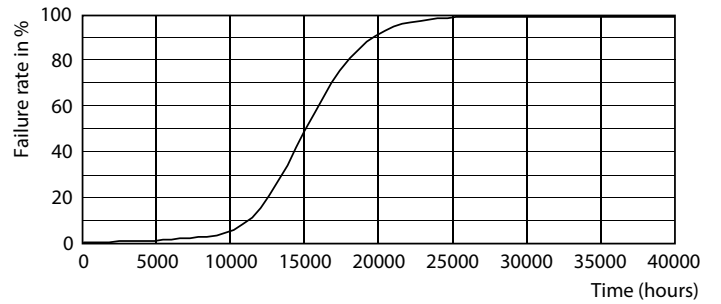
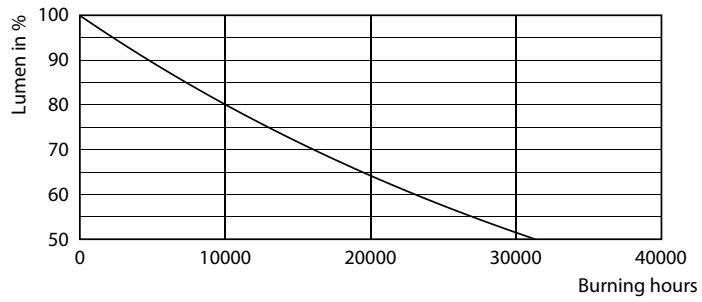
75W E26 A21 FR 250D 822-827 2200-2700K



40W E26 A19 FR

# A-Shape LED

## Lifetime



40W E26 A19 FR

40W E26 A19 FR





# LED A19-A21

## 9.5A19/PER/827-22/P/E26/WG 6/1FB

Philips A19/A21 LED lamps are the smart alternative to standard incandescent. The unique lamp design provides omni-directional light with excellent dimming performance.

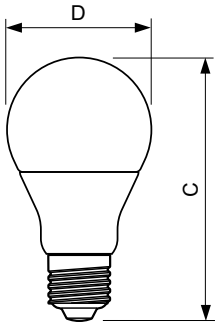
### Product data

General Information	
Base	E26 [ Single Contact Medium Screw]
RoHS mark	RoHS mark
Nominal Lifetime (Nom)	15000 h
Switching Cycle	50000X
Technical Type	9.5-60W
Light Technical	
Color Code	822-827 [ tunable warm white]
Beam Angle (Nom)	250 °
Initial lumen (Nom)	800 lm
Luminous Flux (Rated) (Nom)	800 lm
Color Designation	Warm White (WW)
Correlated Color Temperature (Nom)	2200-2700 K
Luminous Efficacy (rated) (Nom)	84.00 lm/W
Color Consistency	<6
Color Rendering Index (Nom)	80
LLMF At End Of Nominal Lifetime (Nom)	70 %
Operating and Electrical	
Input Frequency	60 Hz
Power (Rated) (Nom)	9.5 W
Lamp Current (Nom)	105 mA
Wattage Equivalent	60 W

Starting Time (Nom)	0.5 s
Warm Up Time to 60% Light (Nom)	0.5 s
Power Factor (Nom)	0.8
Voltage (Nom)	120 V
Temperature	
T-Case Maximum (Nom)	85 °C
Controls and Dimming	
Dimmable	Yes
Mechanical and Housing	
Bulb Finish	Frosted
Product Data	
Order product name	9.5A19/PER/827-22/P/E26/WG 6/1FB
EAN/UPC - Product	046677479442
Order code	479444
Numerator - Quantity Per Pack	1
Numerator - Packs per outer box	6
Material Nr. (12NC)	929001837304
Net Weight (Piece)	0.084 kg

# LED A19-A21

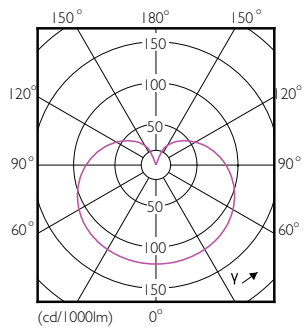
## Dimensional drawing



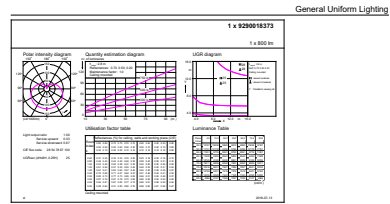
Bulb A19 9.5-60W 800lm 2200-2700K E26 D

Product	D	C
9.5A19/PER/827-22/P/E26/WG 6/1FB	62 mm	111.3 mm

## Photometric data

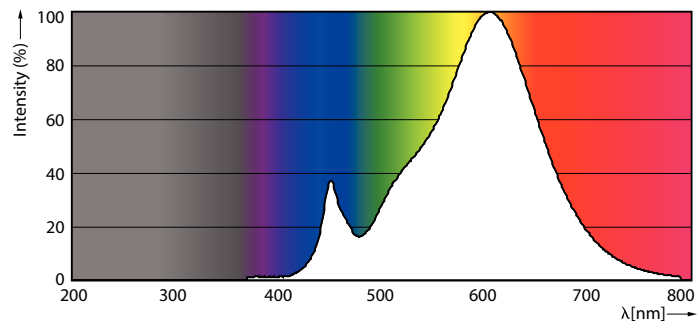


40W E26 A19 FR 250D 822-827 2200-2700K



CalcULX Photometrics 4.5 Philips Lighting B.V. Page: 1/7

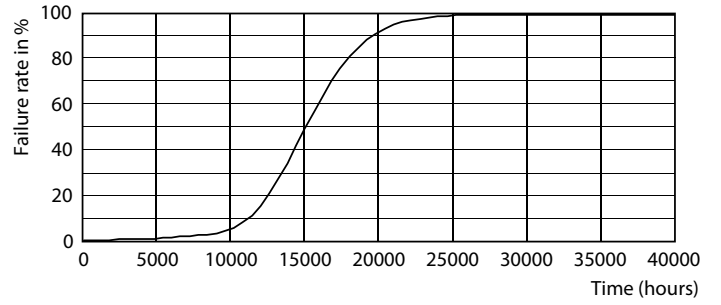
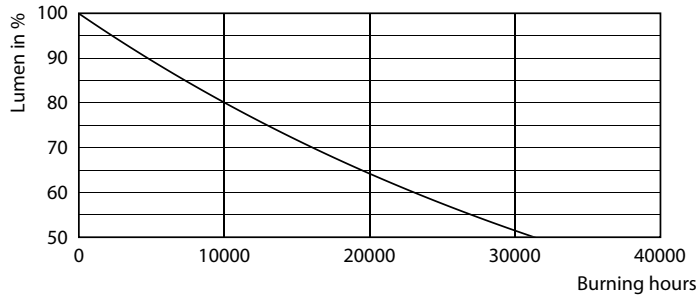
60W E26 A19 FR 250D 822-827 2200-2700K



40W E26 A19 FR

# LED A19-A21

## Lifetime



40W E26 A19 FR

40W E26 A19 FR





## LED HID REPLACEMENT : LARGE

### DESCRIPTION

LED HID Replacement Lamps are an ideal alternative to high-watt HID lamps, consuming up to 80% less energy and delivering an impressive 130+ lumens per watt.

### FEATURES

- Universal mounting position
- Lasts 3x longer than metal halide or HPS HID lamps
- Eliminates maintenance costs for over 10 years; no expensive HID lamps or ballasts to replace
- Shatter resistant for reduced risk of injury or breakage
- Integral driver; eliminates the need for external driver or ballast
- Built-in 5kV surge protection
- Environmentally friendly: contains no glass, mercury, or lead

### WARRANTY

- 5 year limited warranty; see eiko.com for warranty details

### APPLICATIONS

- Industrial
- Commercial
- Post-Tops
- Shoebox Fixtures
- High Bay
- Cobra Head



<b>PERFORMANCE</b>	Power Consumption	<b>80W</b>	100W	120W
	Lumens	10,400-10,800	12,800-13,500	15,600-15,840
	Efficacy (LPW)	130-135	130-135	130-132
	CRI	80+		
	Beam	Omnidirectional		
	CCT	4000K, 5000K		
	Life (L70)	50,000 hours		
<b>ELECTRICAL</b>	Power Factor	≥0.9		
	Input Voltage	120-277V; 347		
<b>CONSTRUCTION</b>	Operating Temperature	-4°F - 113°F (-20°C - 45°C)		
	Base	EX39		
<b>LISTINGS</b>	Certification(s)	DesignLights Consortium® Qualified; cULus Classified		
	Material Usage	RoHS Compliant; no mercury		
	Environment	IP64 Rated; Suitable for use in enclosed fixtures		



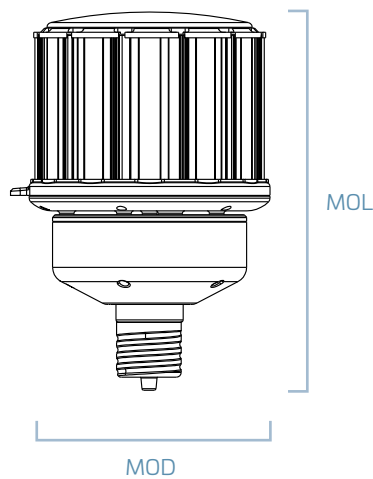
# PERFORMANCE SUMMARY

## MOGUL BASE (EX39):

Order Code	Item #	Lumens	Watts	LPW	CCT	CRI	Volts	Life/Hours	Replaces HID	DLC
09827	LED80WPT40KMOG-347V-G8	10,400	80W	130	4000K	80+	347	50,000	320W	✓
10260	LED80WPT40KMOG-G8	10,400	80W	130	4000K	80+	100-277	50,000	320W	✓
09828	LED80WPT50KMOG-347V-G8	10,800	80W	135	5000K	80+	347	50,000	320W	✓
<b>10261</b>	<b>LED80WPT50KMOG-G8</b>	<b>10,560</b>	<b>80W</b>	<b>132</b>	<b>5000K</b>	<b>80+</b>	<b>100-277</b>	<b>50,000</b>	<b>320W</b>	<b>✓</b>
10254	LED100WPT30KMOG-G8	12,800	100W	128	3000K	80+	100-277	50,000	400W	✓
09825	LED100WPT40KMOG-347V-G8	13,000	100W	130	4000K	80+	347	50,000	400W	✓
10255	LED100WPT40KMOG-G8	13,000	100W	130	4000K	80+	100-277	50,000	400W	✓
09826	LED100WPT50KMOG-347V-G8	13,500	100W	135	5000K	80+	347	50,000	400W	✓
10256	LED100WPT50KMOG-G8	13,200	100W	132	5000K	80+	100-277	50,000	400W	✓
10258	LED120WPT40KMOG-G8	15,600	120W	130	4000K	80+	100-277	50,000	600W	✓
10259	LED120WPT50KMOG-G8	15,840	120W	132	5000K	80+	100-277	50,000	600W	✓

NOTE: Use order code when ordering. ✓DesignLights Consortium® Qualified

## DIMENSIONS



	100-277V	
Size (Wattage)	MOL	MOD
80W	9.21"/234mm	5.87"/149mm
100W	9.57"/243mm	5.87"/149mm
120W	10.35"/263mm	5.87"/149mm

	347V	
Size (Wattage)	MOL	MOD
80W	11.61"/295mm	5.12"/130mm
100W	12.8"/325mm	5.12"/130mm

# TOTALTUBE® T8 G3

UL TYPE A+B BALLAST COMPATIBLE &amp; LINE VOLTAGE



## a TOTALLY perfect tube

THE TOTALTUBE T8 G3 IS OUR LATEST GENERATION OF LED TUBE WHICH BUILDS ON OUR PREVIOUS G1 AND G2 MODELS. THE PERFECT "TOTAL" LED TUBE SOLUTION: LOW COST, HIGH EFFICACY, BEAUTIFUL ILLUMINATION AND VERSATILE WITH 2 DIFFERENT METHODS OF INSTALLATION.

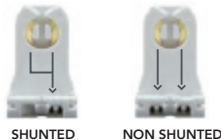


### NEW HIGH PERFORMANCE NANO LENS MATERIAL

Manufactured from a plastic and glass copolymer. Higher transmission rate, more uniform illumination and increased rigidity compared with plastic lenses without the breakage issues of an all glass tube.

### 2 METHODS OF INSTALLATION

- UL Type A: plug & play compatible with almost all fluorescent ballasts (see ballast compatibility guide for more details).
- UL Type B Double-End 120-277V: ballast bypass installation using non-shunted or shunted sockets with power applied to both ends of the tube.



### NEW 135LPW EFFICACY

Improved driver design, higher efficiency LED chips and high performance NANO lens.

### NEW WIDE 240° BEAM ANGLE

Perfect for either direct or direct/indirect applications.

**PLEASE NOTE:** When installing an LED tube with an existing or new fluorescent ballast, always confirm that: (1) the ballast is compatible with the LED tube by checking the ballast compatibility guide (2) the lamp holders utilized and the wiring diagram are correct for that specific fluorescent ballast, by checking the fluorescent ballast installation guide (for example, DO NOT use non-shunted sockets on instant-start ballasts (3) the lamp holders are in good working condition and are making contact with all of the LED tube pins (for example, DO NOT install an LED tube in a loose lamp holder where there is a visible air gap between the end of the LED tube and the lamp holder) so that there is no risk of arcing.

### NEW G3 SMARTSENSE-TLED INTELLIGENT SAFETY SYSTEM

Faster installation with our new switch-less technology. This safety system prevents any risk of electricity flowing from one end of the tube and also prevents against "socket to lamp pin" electrical arcing.

### AVAILABLE IN 2FT, 3FT, 4FT & UBEND SIZES

Available in multiple CCTs. Available in standard and HO outputs for the 4ft model only. UBend available in 2 widths.

### SUITABLE FOR DRY & DAMP LOCATIONS

**UL CLASSIFIED RETROFIT KIT LISTED AND DLC QPL LISTED**  
(See ordering guide for DLC QPL part numbers)

### 5 YEAR STANDARD WARRANTY, L70 >100,000HRS

### OPTIONAL "BAA" BUY AMERICA ACT

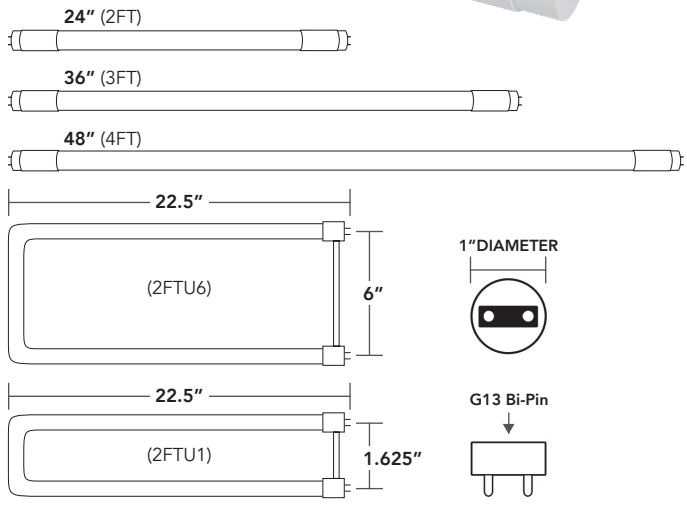
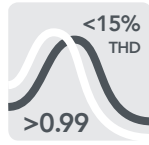
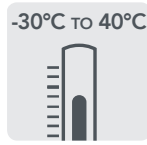
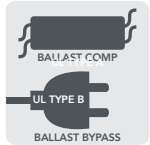
Compliant models available, assembled in our state-of-the-art Middleton, MA assembly center. (BAA SECTION 1605 COMPLIANT)

03.01.18 Information is subject to change without notice.

RemPhos • 877.997.3674 • www.remphos.com  
30 Log Bridge Road • Building 200 • Middleton, MA 01949 • USA

**RemPhos**  
lighting on target

# TOTALTUBE® T8 G3 UL TYPE A+B BALLAST COMPATIBLE & LINE VOLTAGE



2 METHODS OF INSTALLATION (UL TYPE A+B)

NEW WIDE 240° BEAM ANGLE

NEW G3 SMARTSENSE-TLED INTELLIGENT SAFETY SYSTEM

AVAILABLE IN 2FT, 3FT AND 4FT LENGTHS & UBEND SIZES

SUITABLE FOR DRY & DAMP LOCATIONS

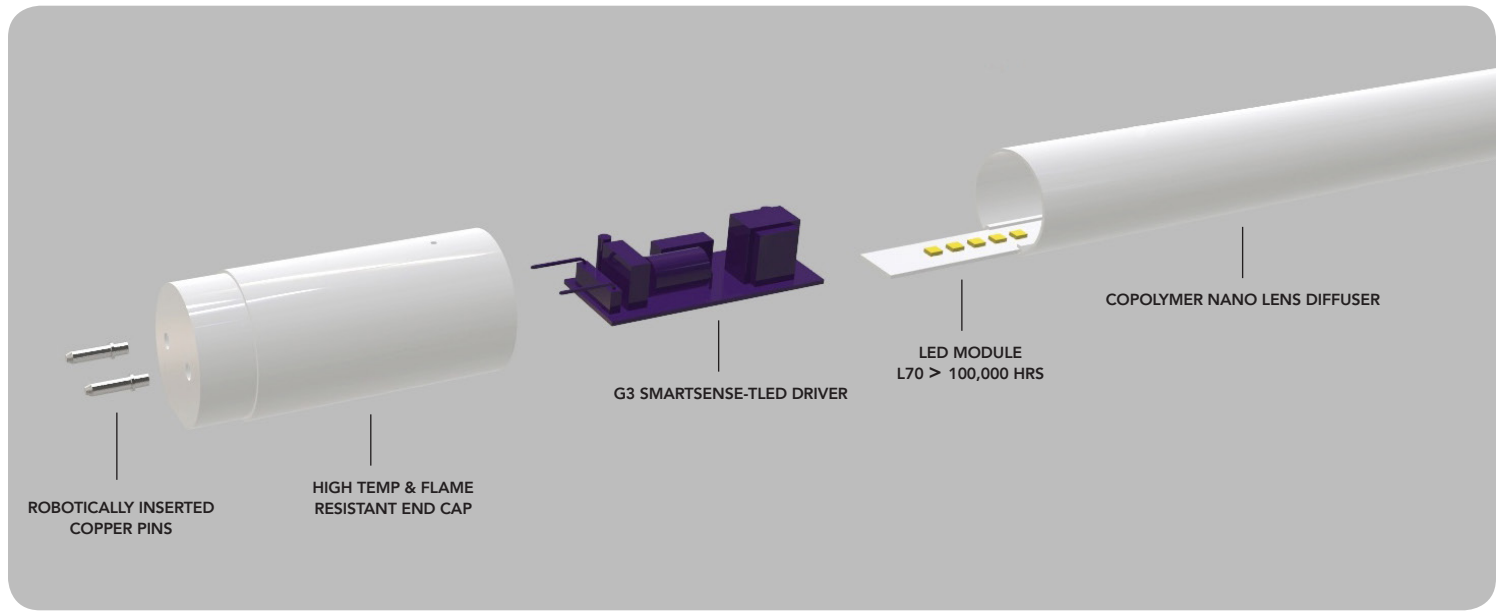
UL CLASSIFIED RETROFIT KIT LISTED AND DLC QPL LISTED

5 YEAR STANDARD WARRANTY, L70 >100,000HRS

OPTIONAL "BAA" BUY AMERICA ACT

NEW HIGH PERFORMANCE NANO LENS MATERIAL

NEW 135LPW EFFICACY DUE TO IMPROVED DRIVER DESIGN, HIGHER EFFICIENCY LED CHIPS AND HIGH PERFORMANCE NANO LENS.



03.01.18 Information is subject to change without notice.

RemPhos • 877.997.3674 • www.remphos.com  
30 Log Bridge Road • Building 200 • Middleton, MA 01949 • USA

**RemPhos**  
lighting on target

# TOTALTUBE® T8 G3 UL TYPE A+B BALLAST COMPATIBLE & LINE VOLTAGE



## PART NUMBER BUILDER

MFR	FAMILY	PRODUCT	GEN	SIZE	COLOR	VERSION	BAA
RPT	B	TOTALTUBE-T8	G3			A	

2FT  
3FT  
4FT  
4FTHO  
2FTU1  
2FTU6

830=3000K/85CRI  
835=3500K/85CRI  
840=4000K/85CRI  
850=5000K/85CRI

BLANK=NON-BAA  
BAA=BAA SECTION  
1605 COMPLIANT



### ORDERING EXAMPLE

RPT-B-TOTALTUBE-T8-G3-2FT-830-A

## ORDERING GUIDE

CASE QTY	ENERGY STAR	DLC	PART #	UL TYPE B (LINE VOLTAGE)		VOLTAGE RANGE (VAC)	WARRANTY (YRS)	TRADITIONAL EQUIVALENT
				LUMEN OUTPUT (LM)	WATTAGE (W)			
42		●	RPT-B-TOTALTUBE-T8-G3-2FT-8XX-A	1350	10	120-277	5	17W FL
42			RPT-B-TOTALTUBE-T8-G3-3FT-8XX-A	1350	10	120-277	5	25W FL
42		●	RPT-B-TOTALTUBE-T8-G3-4FT-8XX-A	1860	12	120-277	5	32W FL
42		●	RPT-B-TOTALTUBE-T8-G3-4FTHO-8XX-A	1980	15	120-277	5	32W FL
10			RPT-B-TOTALTUBE-T8-G3-2FTU1-8XX-A	1950	15	120-277	5	32W FL
10			RPT-B-TOTALTUBE-T8-G3-2FTU6-8XX-A	1950	15	120-277	5	32W FL

● DLC STANDARD ▲ DLC PREMIUM

## SYSTEM POWER AND LUMINOUS FLUX INFORMATION (WITH A BALLAST)

PART #	AVERAGE SYSTEM POWER (W)			AVERAGE LAMP FLUX (LM)		
	LOW BF (0.77)	NORMAL BF (0.88)	HIGH BF (1.18)	LOW BF (0.77)	NORMAL BF (0.88)	HIGH BF (1.18)
RPT-B-TOTALTUBE-T8-G3-2FT-8XX-A	9.2	10.5	12.5	1150	1350	1500
RPT-B-TOTALTUBE-T8-G3-3FT-8XX-A	9.2	10.5	12.5	1150	1350	1500
RPT-B-TOTALTUBE-T8-G3-4FT-8XX-A	12.5	15.5	16.5	1500	1860	1980
RPT-B-TOTALTUBE-T8-G3-4FTHO-8XX-A	14.2	16.5	17.8	1704	1980	2136
RPT-B-TOTALTUBE-T8-G3-2FTU1-8XX-A	12.5	15.5	16.5	1350	1700	1850
RPT-B-TOTALTUBE-T8-G3-2FTU6-8XX-A	12.5	15.5	16.5	1350	1700	1850

**NOTE** The average system power is calculated by measuring the average system wattage for a single LED tube including the ballast. Average system power was measured at 120V and 277V with multiple ballasts from Philips, Osram, GE, Keystone, Sunpark, Howard.

## ACCESSORIES

PART #	DESCRIPTION	INPUT VOLTAGE (V AC)	FLUX OUTPUT (LM)	EST. EMG. RUN TIME (MIN)
RPT-ACCESSORY-EMGKIT-HS1-500LM	UL Classified Emergency Kit	120-277	500	145
RPT-ACCESSORY-EMGKIT-HS1-1000LM	UL Classified Emergency Kit	120-277	1000	145

## DIMMING AND EMERGENCY OPERATION GUIDE

	UL TYPE A	UL TYPE B
DIMMABILITY	Not recommended (use RemPhos BCTUBE T8 G3)	NO
EMERGENCY OPERATION	YES (see ballast compatibility guide)	See accessories above for EMG Kit

03.01.18 Information is subject to change without notice.

RemPhos • 877.997.3674 • www.remphos.com  
30 Log Bridge Road • Building 200 • Middleton, MA 01949 • USA

**RemPhos**  
lighting on target